

## Service Manual

# SAT

## STR 600 AP

### Grundig Service

Hotline Deutschland...  
...Mo.-Fr. 8.00-16.30 Uhr

**Technik:**

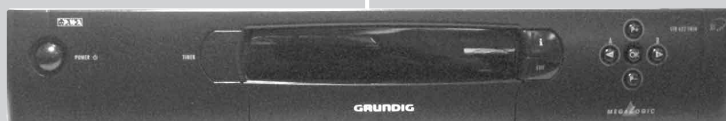
|                   |               |
|-------------------|---------------|
| TV/SAT            | 0180/52318-41 |
| VCR/LiveCam       | 0180/52318-42 |
| HiFi/Audio        | 0180/52318-43 |
| Car Audio         | 0180/52318-44 |
| Telekommunikation | 0180/52318-45 |

**Fax:** 0180/52318-51

**Ersatzteil-Bestellannahme:**

|          |               |
|----------|---------------|
| Telefon: | 0180/52318-40 |
| Fax:     | 0180/52318-50 |

MEGALOGIC®



Zusätzlich erforderliche  
Unterlagen für den Komplettservice

Additionally required  
Service Manuals for the Complete Service

Service  
Manual

Service  
Manual

Sicherheit  
Safety

Sach-Nr./Part No.  
72010-021.20

Sach-Nr./Part No.  
72010-800.00

Btx \* 32700 #

Sachnummer  
Part Number 72010-021.20

Änderungen vorbehalten  
Subject to alteration

Printed in Germany  
VK22 1297

Es gelten die Vorschriften und Sicherheitshinweise gemäß dem Service Manual "Sicherheit", Sach-Nummer 72010-800.00, sowie zusätzlich die eventuell abweichenden, landesspezifischen Vorschriften!



The regulations and safety instructions shall be valid as provided by the "Safety" Service Manual, part number 72010-800.00, as well as the respective national deviations.

D

## Inhaltsverzeichnis

|  | Seite              |
|--|--------------------|
| <b>Allgemeiner Teil</b> .....                    | <b>1-1... 1-14</b> |
| Meßgeräte / Meßmittel .....                      | 1-2                |
| Technische Daten .....                           | 1-3                |
| Modulübersicht .....                             | 1-3                |
| Schaltplansymbole .....                          | 1-4                |
| Bedienungshinweise .....                         | 1-6                |
| Service und Sonderfunktionen .....               | 1-14               |
| <b>Schaltungsbeschreibung</b> .....              | <b>2-1... 2-3</b>  |
| 1. Netzteil .....                                | 2-1                |
| 2. Systemsteuerung .....                         | 2-1                |
| 3. Tuner .....                                   | 2-2                |
| 4. Audiosignalweg .....                          | 2-2                |
| 5. Video-Rauschfilter .....                      | 2-3                |
| 6. Videosignalverarbeitung .....                 | 2-3                |
| 7. OSD-Einblendung und Synchronisation .....     | 2-3                |
| <b>Platinenabbildungen und Schaltpläne</b> ..... | <b>3-1... 3-16</b> |
| Bedieneinheit mit Anzeige .....                  | 3-1                |
| Bedieneinheit PCB .....                          | 3-3                |
| Chassisplatte .....                              | 3-5                |
| Oszillogramme .....                              | 3-11               |
| <b>Ersatzteilliste</b> .....                     | <b>4-1... 4-2</b>  |

## Allgemeiner Teil

### Meßgeräte / Meßmittel

|                 |                |
|-----------------|----------------|
| Regeltrenntrafo | Oszilloskop    |
| DC-Voltmeter    | Frequenzzähler |

Beachten Sie bitte das Grundig Meßtechnik-Programm, das Sie unter folgender Adresse erhalten:

**Grundig Instruments**  
**Test- und Meßsysteme GmbH**  
 Würzburger Str. 150, D-90766 Fürth/Bay.  
 Tel.0911/703-4118, Telefax 0911/703-4130

GB

## Table of Contents

|  | Page               |
|--|--------------------|
| <b>General Section</b> .....                         | <b>1-1... 1-14</b> |
| Test Equipment / Aids .....                          | 1-2                |
| Technical Data .....                                 | 1-3                |
| Module List .....                                    | 1-3                |
| Circuit Diagram Symbols .....                        | 1-4                |
| Operating hints .....                                | 1-10               |
| Service and Special Functions .....                  | 1-14               |
| <b>Circuit Description</b> .....                     | <b>2-4... 2-6</b>  |
| 1. Power Supply .....                                | 2-4                |
| 2. System Control .....                              | 2-4                |
| 3. Tuner .....                                       | 2-5                |
| 4. Audio Path .....                                  | 2-5                |
| 5. Video Noise Filter .....                          | 2-5                |
| 6. Video Processing .....                            | 2-6                |
| 7. OSD Insertion and Synchronisation .....           | 2-6                |
| <b>Layout of the PCBs and Circuit Diagrams</b> ..... | <b>3-1... 3-16</b> |
| Control Unit with Indication .....                   | 3-1                |
| Control Unit PCB Board .....                         | 3-3                |
| Chassis Board .....                                  | 3-5                |
| Oscillogrammes .....                                 | 3-11               |
| <b>Spare Parts List</b> .....                        | <b>4-1... 4-2</b>  |

## General Part

### Test Equipment / Aids

|                                |                   |
|--------------------------------|-------------------|
| Variable isolating transformer | Oscilloscope      |
| DC Voltmeter                   | Frequency counter |

Please note the Grundig Catalog "Test and Measuring Equipment" obtainable from:

**Grundig Instruments**  
**Test- und Meßsysteme GmbH**  
 Würzburger Str. 150, D-90766 Fürth/Bay.  
 Tel.0911/703-4118, Telefax 0911/703-4130

## Technische Daten

|   |  |
|---|--|
| Programmspeicherplätze .....                  | 250 TV / Radio                                 |
| Eingangsfrequenzbereich .....                 | 950...2150MHz                                  |
| SAT-ZF-Eingang .....                          | 2  |
| ZF-Bandbreite .....                           | 4-Pegel Treshold Erweiterung                   |
| LNB-Power .....                               | 14 / 18V, max. 350mA                           |
| DiSEqC .....                                  | Simple   |
| LNB-Schaltsignal .....                        | 22kHz  |
| LNB-Anpassung .....                           | 4 auswählbare LO-Frequenzen, 1MHz-Schritte     |
| Ton-Frequenzbereich .....                     | 5,0...9,00MHz                                  |
| Stereo .....                                  | Panda Wegener                                  |
| Ton-Bandbreite .....                          | 50 / 80 / 110 / 180 / 280 / 380 / 480 / 680kHz |
| Tonunterträger-Versatz .....                  | variabel                                       |
| Ton-Deemphasis umschaltbar .....              | 75µs / 50µs / J17                              |
| Videohub .....                                | 4 stufig                                       |
| Videopolarität .....                          | positiv / negativ                              |
| Anzeige .....                                 | VFD  |
| OSD-Menü .....                                | Deutsch  |
| Scartbuchsen .....                            | TV, VCR, Decoder                               |
| Modulator .....                               | Kanal 21...60                                  |
| Netzspannung .....                            | 220...240V                                     |
| Regelbereich .....                            | 185...265V                                     |
| Netzfrequenz .....                            | 50 / 60Hz                                      |
| Fernbedienung .....                           | TP 820 SAT                                     |
| Abmessungen (BxHxT) .....                     | ca. 380 x 70 x 329 mm                          |
| Gewicht .....                                 | ca. 1,8kg                                      |
| Leistungsaufnahme bei Vollast (mit LNC) ..... | ca. 22W  |
| Leistungsaufnahme in Standby .....            | < 2W   |

## Technical Data



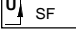
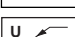

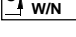
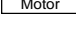
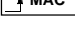
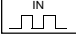
|   |  |
|---|--|
| Programme memory locations .....                | 250 TV / Radio                                 |
| Input frequency range .....                     | 950...2150MHz                                  |
| SAT IF-input .....                              | 2  |
| IF bandwidth .....                              | 4-Pegel Treshold extension                     |
| LNB power .....                                 | 14 / 18V, max. 350mA                           |
| DiSEqC .....                                    | Simple   |
| LNB switching signal .....                      | 22kHz  |
| LNB-Adaption .....                              | 4 variabel LI-frequenzies, 1MHz-steps          |
| Sound frequency range .....                     | 5.0...9.00MHz                                  |
| Stereo .....                                    | Panda Wegener                                  |
| Audio bandwidth .....                           | 50 / 80 / 110 / 180 / 280 / 380 / 480 / 680kHz |
| Sound sub carrier offset .....                  | variable                                       |
| Sound de-emphasis, switchable .....             | 75µs / 50µs / J17                              |
| Video deviation .....                           | 4-stage  |
| Video polarity .....                            | positive / negative                            |
| Display .....                                   | VFD  |
| OSD menu .....                                  | Englisch                                       |
| Scart sockets .....                             | TV, VCR, Decoder                               |
| Modulator .....                                 | channel 21...60                                |
| Mains supply .....                              | 220...240V                                     |
| Control range .....                             | 185...265V                                     |
| Mains frequency .....                           | 50 / 60Hz                                      |
| Remote control handset .....                    | TP 820 SAT                                     |
| Dimensions (WxHxD) .....                        | ca. 380 x 70 x 329 mm                          |
| Weight .....                                    | ca. 1.8kg                                      |
| Power consumption at full load (with LNC) ..... | ca. 22W  |
| Power consumption in standby .....              | < 2W   |

## Modulübersicht / Module List

|                   | Bestell-Nr.<br>Order No. | PLL-Modulator | Tuner        | Bedieneinheit<br>Control Unit | Anschlußplatte<br>Connection Board | Fernbedienung /<br>Remote Control<br>TP 820 SAT |
|-------------------|--------------------------|---------------|--------------|-------------------------------|------------------------------------|---|
| <b>STR 600 AP</b> | G.AC 2151                | 29502-025.45  | 29504-201.88 | 29305-206.05                  | 29305-015.43                       | 29642-061.03                                    |

## Schaltplansymbole / Circuit diagram symbols / Symboles schema / Simboli sullo schema / Simbolos en los esquemas

| D                      | GB  | F                | I  | E |
|------------------------|---|------------------|--|---|
| <b>ACK</b>             | Rückmeldung / Acknowledge / Accusé de reception / Segnale di conferma / Dar listo   | <b>FBAS TON</b>  | Basisband / Baseband / Bande de base / Banda base / Banda basis  |   |
| <b>ACT</b>             | Aktuator Impuls / Actuator Compteur d'impulsions / Impulso di atuazione / Impulsos de actuador  | <b>FBAS MOD</b>  | FBAS für Modulator / CCVS for modulator / FBAS pour modulateur / FBAS per modulatore / SVC para modulador  |   |
| <b>AGC</b>             | Feldstärkeabhängige Spg. / Fieldstrength-depent volt. / Contr. automatique de gain / Tens. dipent. intens. campo / Contr. autom. de gain tens. CAG      | <b>FBKG</b>      | Datenschalter OSD / Data switch OSD / Commut. de dates OSD / Commut. dati OSD / Conmut. de datos OSD   |   |
| <b>AFC</b>             | AFC - Referenzspg. / AFC reference volt. / Tensione de refer. AFC / Tens. rif. AFC / Tensión de refer. AFC  | <b>FT</b>        | Feinabstimmung / Fine tuning / Réglage fine / Sint. fine / Sint. fina  |   |
| <b>AL DEC</b>          | Audio-Signal links Decoder / Audio signal left Decoder / Signal audio gauche Decoder / Segnale audio sinistra Decoder / Señal audio izquierda Decoder   | <b>G</b>         | Grün-Signal / Green signal / Signal vert / Segnale verde / Señal verde   |   |
| <b>AL TV</b>           | Audio-Signal links TV / Audio signal left TV / Signal audio gauche TV / Segnale audio sinistra TV / Señal audio izquierda TV                            | <b>HOR VERT</b>  | Umschaltung Horizontal - Vertikal / Horizontal - vertical switching / Commut horiz. - vertic. / Commut. orizz. - vert. / Conmut. hor. - vert.  |   |
| <b>AL VCR</b>          | Audio-Signal links VCR / Audio signal left VCR / Signal audio gauche VCR / Segnale audio destra VCR / Señal audio izquierda VCR                         | <b>H SYNC</b>    | Horizontal - Sync. / Horizontal Sync / Sync. horizontale / Sinc. orizzontale / Horizontal - Sinc.  |   |
| <b>AR DEC</b>          | Audio-Signal rechts Decoder / Audio signal right Decoder / Signal audio droit Decoder / Segnale audio destra Decoder / Señal audio derecha Decoder      | <b>HEIZ GRD</b>  | Nullpunkt Heizung / Ground filament / Point neutre-chauffage / Punto zero-filamento / Punto medio filamento  |   |
| <b>AR TV</b>           | Audio-Signal rechts TV / Audio signal right TV / Signal audio droit TV / Segnale audio destra TV / Señal audio derecha TV                               | <b>I Motor</b>   | Kontrollspg. für Motorlauf / Control voltage for motor run / Tens. de controle pour course moteur / Tens. di controllo per il funz. del motore / Tens. de control para la marcha del motor   |   |
| <b>AR VCR</b>          | Audio-Signal rechts VCR / Audio signal right VCR / Signal audio droit VCR / Segnale audio destra VCR / Señal audio derecha VCR                          | <b>INPUT A/B</b> | Umschaltung Eingang A, B / Switch-over input A, B / Commut. entree A, B / Commutaz. ingresso A, B / Conmut entrada A, B  |   |
| <b>AUDIO</b>           | Audio-Signal / Audio-signal / Signal audio / Segnale audio / Señal audio  | <b>IR</b>        | Infrarot-Signal / Signal infrared / Signal infra-rouge / Segnale infrarosso / Señal infrarojo  |   |
| <b>AUDIO-L</b>         | Audio-Signal links / Audio signal left / Signal audio gauche / Segnale audio sinistra / Señal audio izquierda   | <b>LED</b>       | Leuchtdiode / Light emitting diode / Diode lumineuse / Diodo luminoso / Diodo luminescente   |   |
| <b>AUDIO-R</b>         | Audio-Signal rechts / Audio signal right / Signal audio droit / Segnale audio destra / Señal audio derecha  | <b>M</b>         | Speichertaste / Memory button / Touche mémoire / Tasto di memoria / Puls. de memoria   |   |
| <b>AUDIO MODE</b>      | Audio-Signal zum Modulator / Audio signal to modulator / Signal audio pour modulateur / Segnale audio verso il modulatore / Segnal audio para modulador | <b>MOD VID</b>   | Videosignal Modulator / Video signal modulator / Modulateur signal vidéo / Modulatore segnale video / Modulador de señal video   |   |
| <b>B</b>               | Blau-Signal / Blue signal / Signal bleu / Segnale blu / Señal azul  | <b>LNC POWER</b> | Versorgungsspg. für LNC / Supply volt. for LNC / Tens. d'aliment. pour LNC / Tens. di aliment. per LNC / Tens. de alimentacion para LNC  |   |
| <b>BB</b>              | Basisband-Signal / Basband signal / Bande de base signal / Segnale di banda base / Banda base señal   | <b>LNC_PG</b>    | LNC-Spannung gut / LNC power good / LNC tension bonne / Tens. LNC buona / Tension LNC buena  |   |
| <b>C</b>               | Kanalwahl / Channel selection / Sélect. de canaux / Selez. canale / Seleccion canal   | <b>P/C</b>       | Programm-Kanalwahl / Program channel selection / Progr. sélection de canaux / Progr. selez. canale / Progr. selec. canal   |   |
| <b>CLK</b>             | Clock   | <b>P</b>         | Programm / Program / Programme / Programma / Programa  |   |
| <b>CS OSD</b>          | OSD Chip-Auswahl / Chip select OSD / Selection chip OSD / Selezione chip OSD / Elección chip OSD  | <b>MECH POL</b>  | Mechanischer Polarizer / Mechanical polarizer / Polariseur mecanique / Polarizer meccanica / Polarizer mecanico  |   |
| <b>DATA</b>            | Daten / Data / Données / Dati / Datos   | <b>R</b>         | Rot-Signal / Red signal / Signal rouge / Segnale rosso / Señal roja  |   |
| <b>ENA</b>             | Freigabe / Enable / Autorisation / Consenso / Habilitacion  | <b>RESET</b>     | Zurücksetzen / Reset / Reset / Reset / Reset   |   |
| <b>ENABLE LED</b>      | Freigabe LED / Enable LED / Autorisation LED / LED di consenso / Habilitación LED   | <b>REMOTE</b>    | Fernbedienbefehle / Remote commands / Ordres de telecommande / Ordine del telecomando / Ordenes de mando a distancia   |   |
| <b>ENABLE TON</b>      | Freigabe Ton / Sound enable / Autorisation son / Consenso audio / Habilitacion de sonido  | <b>SCL</b>       | I <sup>2</sup> C Bus: Clock  |   |
| <b>EURO-AV VIDEO</b>   | Video-Signal EURO-AV / Video signal EURO-AV / Signal video EURO-AV / Segnale video EURO-AV / Señal video EURO-AV  | <b>SDA</b>       | I <sup>2</sup> C Bus: Daten / Data / Données / Dati / Data   |   |
| <b>EURO-AV AUDIO-R</b> | Audio-Signal EURO-AV rechts / Audio signal EURO-AV right / Signal audio norme FR droit / Segnale audio EURO-AV destra / Señal audio derecha EURO-AV     | <b>SCREEN</b>    | OSD aktiv / OSD active / OSD actif / OSD attivo / OSD activo   |   |
| <b>EURO-AV AUDIO-L</b> | Audio-Signal EURO-AV links / Audio signal EURO-AV left / Signal audio norme FR gauche / Segnale audio EURO-AV sinistra / Señal audio izquierda EURO-AV  | <b>SKEW</b>      | Drehwinkeleinstellung für motorischen- und magnetischen Polarizer / Adjustable polarisation angle of rotation for motorized and magnetic polarizers / Angle de polarisation réglable pour polariseurs motorisés et magnetiques / Angolo di rotazione per posto di programma per polarizzatore a motore e magnetico / Ajuste de ángulo de giro para polarizador motorizado y magnetiz |   |
| <b>EXO SYNC</b>        | Externe OSD Synchronisation / Externe synchronisation OSD / Externe OSD synchronisation / Synchron. OSD esterna / Synchron. OSD externo                 | <b>SKEW MAG</b>  | Ansteuerung für magnetischen Polarizer / Drive signal for magnetic polariser / Attaque pour polariseur magnetique / Pilotaggio per polarizz. magnetico / Mando para el polarizador magnetico   |   |
| <b>FBAS</b>            | FBAS-Signal / CCVS Signal / Signal video composite / Segnale video composito / Señal video compuesta  | <b>STB</b>       | Abtastimpuls Eingangsleitung / Strobe input terminal / Impuls explorateur circuit d'arivee / Impulso d'esplorazione del circuito di entrata / Impulso d'esplorazione del circuito d'entrata  |   |

|   |   |   |   |
|---|---|---|---|
|     | Sync.-Signal / Sync signal / Signal Sync. / Segnale sincr. / Señal de sincronismos  |     | Schaltspannung Ton-Normen / Switching voltage sound standarts / Tens. de comm. de normes / Tens. di commutaz. audio-norme / Tens. conmut. normas sonido   |
|    | Taste abwärts / Push button down / Button-poussoir descendant / Tasto verso il basso / Pulsador hatia abajo   |    |   |
|    | Taste aufwärts / Push button up / Button-poussoir montant / Incremento del tasto / Pulsador hatia arriba  |    |   |
|    | Uhrschaltsignal / Timer signal / Signal commut. d'horloge / Segnale di commut. primitivo / Señal conmut. de reloj   |    |   |
|    | Freigabe Anzeigebaustein / Display enable / Autorisation pour module indicateur / Modulo indicazione / Habilitacion modulo indicacion   |    | Schaltspg. für Motorlauf Ost / Switching volt. for motor run east / Tens. de commut. pour course moteur est / Tens. di commut. per il funz. del motore verso est / Tens. de conmutacion para la marcha del motor este       |
|    | Videosignal / Video signal / Signal vidéo / Segnale video / Señal video   |    | Schaltspg. PAL-Basisband-Signal / Switching volt. PAL-baseband signal / Tension commut. bande de PAL-base signal / Tens. commut. polarita segnale di PAL-banda base / Tens. conmut. banda PAL-base señal                    |
|    | Schaltspannung Video Deemphasis / Switching voltage video deemphasis / Tens. commut video deenfasi / Tens. di commutaz. video selez. della fase audiodem / Tens. conmut. video deenfasi |    | Schaltspg. Polarität / Switching volt. polarity / Tension commut. polarité / Tens. commut. polarita / Tens. conmut. polarizacion  |
|    | Video Decoder-Eingang / Video decoder input / Vidéo-decodeur entrée / Entrada video decoder / Entrada de video-decoder  |    | Schaltspg. Relais / Switching volt. relay / Tens. commut. relais / Tens. di commut. rele / Rele de tens. de commut.   |
|    | Video TV-Ausgang / Video VCR output / Sortie vidéo V CR / Uscita video VCR / Salida de video VCR  |    | Schaltspg. "Reset" / Switching volt. "Reset" / Tens. commut. "Reset" / Tens. commut. "Reset" / Tens. conmut. "Reset"  |
|    | Video Sync-Erkennung / Video Sync identification / Video Sync identification / Sync video identificazione / Identificacion Sync video   |    | Schaltspg. RGB / Switching voltage RGB / Tens. de commut. RVB / Tens. commut. RVB / Conmut. de RVB  |
|    | Vertikal - Sync / Vertical Sync / Sync. verticale / Sinc. Verticale / Vertical - Sincron.   |    | Schaltspg. RGB-TV / Switching voltage RGB-TV / Tens. de commut. RVB-TV / Tens. commut. RVB-TV / Conmut. de RVB-TV   |
|    | Video TV-Eingang / Video TV input / Entrée vidéo TV / Entrada video TV / Entrada de video TV  |    | Schaltspg. Sonderfunktion / Special function switching volt. / Tens. de commut. fonction speciale / Funz. speciale della tens. di commut. / Tens. de commut. function especial  |
|    | Video TV-Ausgang / Video TV output / Sortie vidéo TV / Uscita video TV / Salida de video TV   |    | Schaltspg. Descrambler / Descrambler switching voltage / Tens. de commut. descrambrouilleur / Tens. di commut. rivelatore / Tens. de commut. descrambler  |
|  | Video VCR-Eingang / Video VCR input / Vidéo VCR entrée / Entrada video VCR / Entrada de video VCR   |  | Schaltspg. Stand By / Switching volt. Stand By / Tens. commut. Veille / Tens. commut. Stand By / Tens. conmut. Stand By   |
|  | VVCR TV-Ausgang / Video VCR output / Sortie vidéo VCR / Uscita video VCR / Salida de video VCR  |  | Schaltspg. Stereo / Stereoswitching volt. / Tens. de commut. Stereo / Tens. di commut. Stereo / Tensión de commut. Stereo   |
|  | Y-Signal / Y-signal // Signal Y / Segnale Y / Señal Y   |  | Schaltspannung Zwangssynchronisation / Switching voltage forced synchr. / Commut. sync. oblig / Tens. di commutaz. sincr. forzata / Synchron. de tensión de commut.   |
|  | ZF-Signal / IF Signal / Signal FI / Segnale FI / Señal de FI  |  | Abstimmspg. Tuner / Tuning volt. tuner / Tens. d'accord tuner / Tens. di sintonia tuner / Tens. sintonia tuner  |
|  | Regelungspg. AFC / AFC contr. volt. / Tens. de regul. AFC / Tens. di contr. AFC / Tens. regul. CAF  |  | Schaltspg. für Motorlauf West / Switching volt. for motor run west / Tens. de commut. pour course moteur ouest / Tens. di commut. per il funz. del motore verso ovest / Tens. de conmutacion para la marcha del motor oeste |
|  | Schaltspg. AV / Switching volt. AV / Tens. de commut. AV / Tens. di commut. AV / Tens. conmut. AV   |  | Schaltspg. ZF breit - schmal / IF switching volt. wide - narrow / Tens. commut. FI large - etroit / Tens. commut. FI larga - stretta / Tens. FI ancho - estrecho  |
|  | Schaltspannung Deemphasis / Switching voltage de-emphasis / Tens. commut deenfasi / Tens. di commutaz. selez. della fase dem / Tens. conmut. deenfasi                                   |  | Schaltspg. 14/18V / 14/18V switching volt. / Tens. de commut. 14/18V / Tens. di commut. 14/18V / Tens. de commut. 14/18V  |
|  | Schaltspg. Euro-AV-Buchse-Cinch Buchse / Euro-AV socket switching volt.- phono socket / Tens. commut. prisa scart-cinch / Tens. commut. presa scart - cinch / Tens. conm. Euro-AV-Cinc. |  | 22kHz Schaltspg. / 22kHz switching volt. / Tens. commut. 22kHz / Tens. commut. 22kHz / Tens. de conm. 22kHz   |
|  | Schaltspg. Hub / Switching volt. deviation / Tens. commut. deviation / Tens. commut. deviazione / Tens. conmut. deviancion  |  | 0/12V Schaltspg. / 0/12V switching volt. / Tens. commut. 0/12V / Tens. commut. 0/12V / Tens. de conmut. 0/12V   |
|  | Schaltspg. linear / Linear switching volt. / Tens. de commut. lineaire / Tens. di commut. lineare / Tens. de conmut. de linea   |  | 0/3/6/9V Schaltspg. / 0/3/6/9V switching volt. / Tens. commut. 0/3/6/9V / Tens. commut. 0/3/6/9V / Tens. de conm. 0/3/6/9V  |
|  | Schaltspannung für "LNC-Power" / Switching voltage for "LNC-Power" / Tens. de commut pour "LNC-Power" / Tens. di commut per "LNC-Power" / Tens. de conmut para "LNC-Power"              |  | 22kHz Umschaltfrequenz / 22kHz switching frequency / Frequence de commut. 22kHz / Commut. frequ. 22kHz / Frecuencia de conm. de 22kHz   |
|  |   |  | Versorgungsspg. Motor / Positioner motor supply volt. / Tens. d'aliment. moteur de positionneur / Tens. di aliment. del motore posizionario / Tens. de alimentacion motor posicionador                                      |
|  |   |  | Klemmung Ein-Aus / Clamping On-Off / Clampage Marche-Arrêt / Clamping Ins.-Disins. / Clamping Enc.-Apag.  |
|  | Schaltspg. LNC aus / Switching volt. LNC off / Tens. commut. LNC arrêt / Tens. commut. LNC spento / Tens. de conmut. LNC desconectado   |  | Pulse für Polarotor / Pulses for Polar-Rotor / Impulsions Rotor de Polariasion / Impulsi per Rotore Polarizzazione / Impulsos dara Polarotor  |
|  | Schaltspg. MAC / Switching volt. MAC / Tens. commut. MAC / Tens. commut. MAC / Tens. de conmut. MAC   |  | Eingangsimpulse vom Positioner-Motor / Input signal from positioner motor / Signal d'entrée moteur de positionneur / Segnale d'ingresso dal motore del posizionario / Señal de entrada del motor posicionador               |
|  | Schaltspg. Mono schmal / Mono narrow switching volt. / Tens. de commut. Mono étroite / Tens. di commut. Stretta / Tens. de conmut. Mono estecho   |   |   |
|  | Stummschaltung / Muting / Silencieux / Silenziamento / Muting   |   |   |

## Bedienhinweise

Dieses Kapitel enthält Auszüge aus der Bedienungsanleitung. Weitergehende Informationen entnehmen Sie bitte der gerätespezifischen Bedienungsanleitung, deren Sachnummer Sie in der entsprechenden Ersatzteilliste finden.



### Vorderseite/Nahbedienung

- ① Aus-/Ein-Taste, schaltet in Bereitschaft (Stand-by) bzw. von Bereitschaft wieder ein. Keine Netztrennung!
  - ② Panda Logo\*
  - ③ Gelbe Anzeige: leuchtet, wenn ein interner Timer »Aktiv« ist (vorprogrammierte Timerzeit läuft).
  - ④ Rote Bereitschaftsanzeige: leuchtet, wenn der Receiver in Bereitschaft (stand by) ist.
  - ⑤ Anzeigefeld des Receivers (siehe Beschreibung in der nächsten Spalte).
- i** Diese Taste ist gegen unbeabsichtigtes Betätigen geschützt. Drücken Sie deshalb diese Taste bitte länger als 2 Sekunden, um die Menütafel zur Einstellung des Antennenmotors aufzurufen.
- EXIT** Menütafel verlassen (ohne Speichern)
- P+P-** – Programmplatz schrittweise weiter-schalten (länger drücken: Schnelldurch-gang).  
– Einschalten aus Bereitschaft auf den zuletzt eingestellten Programmplatz (Last Station Memory).  
– Im Menü: Zeile wählen
- ◀ ▶** – Lautstärke ändern. Bei sehr geringer Lautstärke erscheint auf dem TV-Bild-schirm »Vol min«.  
– Im Menü: Wert ändern
- Ⓜ** – Anzeige des Sendernamens und des Satelliten auf dem Bildschirm ;  
– Im Menü: Speichern

**MEGALOGIC** Ideales Zusammenspiel zwischen GRUNDIG Videorecorder und GRUNDIG SAT-Receiver. Nur der Videorecorder muß programmiert werden. Die Aufnahme-steuerung findet dann durch Datenüber-tragung vom Videorecorder zum SAT-Receiver automatisch über ein Steuerka-bel statt. Erläuterungen siehe Seite 27.

\* Panda/Wegener Communications Inc.  
Auszeichnung für höchste Tonqualität.

### Die Anzeige des Receivers

**999**

Dreistellige Programmplatzanzeige



Zeigt den Antennenlauf an

**ARD**

8stelliges Anzeigefeld:

- Bei normalem Betrieb erscheint die Senderbe-zeichnung des gewählten Programmplatzes
- Ist eine Menütafel geöffnet, erscheint »*Premiere*«.
- Bei Antennenlauf erscheint z.B. »*D W*«, und danach die erreichte Position, z.B. »*13° Ost*«.

**1 2 3 4**

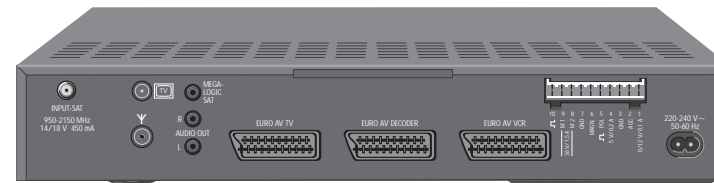
Timer Anzeige, gibt an, welcher interne Timer pro-grammiert ist.

**TIMER**

Timer Anzeige: leuchtet, wenn mindestens ein Timer programmiert ist.

**RADIO**

Leuchtet, wenn Sie einen Programmplatz mit der Einstellung Radio gewählt haben.



### Rückseite

- INPUT SAT** Anschluß für Satelliten-Antenne  
Ausgang für terrestrische Antenne und SAT-UHF-Ausgang.
- Y** Eingang für terrestrische Antennen (VHF/UHF).
- MEGALOGIC SAT** Anschluß zur Fernbedienung durch verschiedene GRUNDIG Videorecorder [siehe Kapitel "SAT-Aufnahmesteuerung durch GRUNDIG Videorecorder (MEGALOGIC SAT)" auf Seite 27] und die Funktion "DataLink" (siehe Seite 30).
- AUDIO OUT R/L** Audio-Ausgänge zum Anschluß einer HiFi-Anlage  
R: rechts, L: links
- EURO-AV TV** EURO-AV-Buchse (nur Ausgang) für TV-Gerät, mit RGB-Durchschleifung von der Decoderbuchse.
- EURO-AV DECODER** EURO-AV-Buchse (Ein-/Ausgang) für Decoder (z.B. Premiere) oder weiteren Videorecorder (siehe auch Kapitel "Decodereinstellung/Schaltspannung" auf Seite 21).
- EURO-AV VCR** EURO-AV-Buchse (Ein-/Ausgang) für Videorecorder.
- 220-240 V 50-60 Hz** Anschluß für steckbares Netzkabel. Netztrennung nur durch Ziehen des Netzsteckers!

### Steckerbelegung

1 2 3 4 5 6 7 8 9 10  
(10-polige Steckerleiste):

Der Stecker ist abziehbar, die oben angegebene Bezeichnung (1 ... 10) ist von oben sichtbar.

| Pin | Bezeichnung  | Anschluß   |
|-----|--------------|--|
| 1   | 0/12 V/0,1 A | Schaltspannungs-Ausgang für LNB-Umschaltung, Relais o.ä.   |
| 2   | AGC          | Feldstärke-Meßausgang für exakte Antennen-Justage.         |
| 3   | GND          | Masse  |
| 4   | +5 V/0,2 A   | Ausgang für motorischen Polarizer, Actuator                |
| 5   | ⌋L POL.      | Steuerpulsspannung (Ausgang) zum motorischen Polarizer     |
| 6   | MAGN.        | Strom-Ausgang für magnetischen Polarizer ±70 mA/max. ±12 V |
| 7   | GND          | Masse  |
| 8   | M2           | Betriebsspannung für Drehmotor 36 V (positiv bei Ostlauf)* |
| 9   | M1           | Betriebsspannung für Drehmotor 36 V*                       |
| 10  | ⌋L           | Steuerpulsspannung (Eingang vom Drehmotor)                 |

\* Maximale Stromentnahme: 1,5 A nominal, kurzzeitig ist eine Stromentnahme von bis zu 2,5 A möglich.

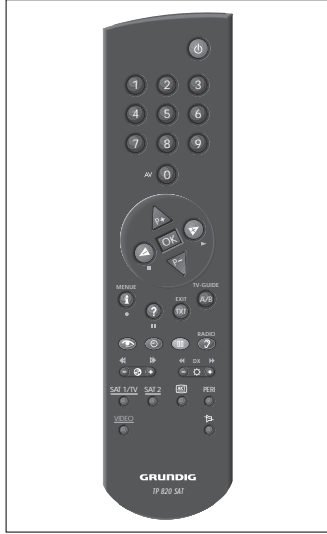


## Die Fernbedienung

- Mit der Universalfernbedienung TP 820 SAT lassen sich alle Bediefunktionen und Grundeinstellungen durchführen.
- Die Fernbedienung kann auch TV-Geräte von GRUNDIG und einigen anderen Herstellern bedienen (siehe Kapitel "Universalfernbedienung" auf Seite 7).
- Einige Tasten der Fernbedienung haben spezielle Funktionen im Menü (siehe Seite 19).
- Bitte beiliegende Batterien einsetzen und Polung beachten! Markierung hierfür im Fachboden. Deckel schließen.
- Wechseln Sie bitte die verbrauchten Batterien rechtzeitig. Für Schäden, die durch ausgelaufene Batterien entstehen, kann nicht gehaftet werden.

### Tastenfunktionen

- Gerät in Bereitschaft (Stand-by) schalten.
- Mit den Zifferntasten wird der entsprechende Programmplatz direkt angewählt, z.B. P 123.  
Bei mehrstelliger Programmplatzwahl werden die Ziffern in der Reihenfolge von links nach rechts eingegeben. Im Beispiel also 1, 2 und 3 eintippen.  
So können Sie insgesamt bis zu 999 SAT-Programmplätze (SAT-TV und SAT-Radio) anwählen.  
– Einschalten des Receivers aus Bereitschaft (Stand-by).
- Programmplatz schrittweise weiter-schalten (länger drücken: Schnelldurch-gang) sowie Einschalten aus Bereit-schaft auf den zuletzt eingestellten Pro-grammplatz (Last Station Memory).
- Anzeige des Sendernamens und des Satelliten auf dem Bildschirm;  
– Im Menü: Speichern
- Im SAT-Mode: Lautstärke ändern (bei sehr geringer Lautstärke erscheint auf dem TV-Bildschirm »Vol min«.
- Aufrufen der Menütafel
- Ohne Funktion
- Menütafel verlassen (ohne Speichern)
- Ohne Funktion
- Funktion im Menü
- (grün) – Timermenü aufrufen  
– Funktion im Menü
- (gelb) Umschalten zwischen Stereo, rechtem und linkem Tonkanal.
- Umschalten zwischen SAT-TV- und (blau) SAT-Radio-Betrieb.
- Im TV-Mode\*: Farbkontrasteinstellung des TV-Gerätes ändern.



- Im SAT-Mode: Aufrufen des Menüs zur Bild- und Tonverbesserung (siehe Kapitel "Betrieb" auf Seite 18).
- Im TV-Mode\*: Helligkeitseinstellung des TV-Gerätes ändern.
- T V - M o d e \* :  
Bedienen eines TV-Gerätes durch gleichzeitiges Drücken dieser Taste und der gewünschten Funktionstaste\*.
- Bedienen eines zweiten SAT-Receivers (IR-Ebene 2) durch gleichzeitiges Drücken dieser Taste und der gewünschten Funktionstaste\*.
- Ohne Funktion.
- Manche TV-Geräte schalten bei Inbetriebnahme des SAT-Receivers automatisch vom terrestrischen Betrieb in den AV-Betrieb.  
Mit der Taste kann in den terrestrischen Betrieb des TV-Gerätes zurückgeschaltet werden.
- V i d e o - M o d e \* :  
Bedienen eines Videorecorders durch gleichzeitiges Drücken dieser Taste und der gewünschten Funktionstaste mit dem zugehörigen orangefarbenen Symbol.
- Ton stummschalten, Anzeige »SAT Mute«.

\* Siehe auch Kapitel "Universalfernbedienung" auf Seite 7.

## Betrieb (mit den Tasten der Fernbedienung)

### Betrieb (mit den Tasten der Fernbedienung)

#### Programmplatz wählen

Sie können mit den Tasten den Programmplatz schrittweise weiterschalten oder mit den Zifferntasten die Programmplatznummer direkt eingeben.

Wenn mit dem Programmplatzwechsel auch ein Satellitenwechsel verbunden ist, erscheint während des Antennenaufbaus das Symbol und blinkende Pfeile in West- oder Ostrichtung.

#### Überlastungsschutz

Bei zu hohem Motorstrom der Drehantenne über längere Zeit, schaltet das Gerät in Bereitschaft (Stand-by), um die Elektronik nicht zu überlasten.

#### Bereitschaft (Stand-by)

Mit der Taste schalten Sie den Receiver in Bereitschaft (Stand-by). Am Receiver erlöschen dann die Programmplatzanzeigen. Die rote Anzeige signalisiert Bereitschaft.

Um den Receiver wieder einzuschalten drücken Sie eine der Tasten , der zuletzt gewählte Programmplatz ist wieder gültig (Last Station Memory) oder wählen Sie mit den Zifferntasten direkt den gewünschten Programmplatz.

Auch wenn der Receiver in Bereitschaft ist, können Sie eine Videocassette abspielen oder das Menü des Videorecorders auf dem TV-Bildschirm einblenden. Das Signal wird in diesem Fall vom Videorecorder über den SAT-Receiver zum TV-Gerät durchgeschaltet. Ist der Receiver dabei in Bereitschaft erscheint im Anzeigefeld während der Wiedergabe **»\* R U \*«**.

#### Wechsel zwischen TV- und Radioprogrammplatz

Mit der blauen Taste können Sie zwischen dem zuletzt gewählten TV-Programmplatz und dem zuletzt gewählten Radio-Programmplatz hin- und herschalten. Bei Radiobetrieb wird der Bildhintergrund blau geschaltet, lediglich die Senderkennung, die Satellitenbezeichnung und das Wort »RADIO« werden angezeigt. Im Anzeigefeld leuchtet in diesem Fall **»RADIO«**.

#### Lautstärke ändern

Mit den Tasten ändern Sie die Lautstärkeeinstellung des Receivers. Bei sehr geringer Lautstärke erscheint auf dem Bildschirm die Einblendung **»Vol min«**.

#### Senderkennung aufrufen

Durch Drücken der Taste lassen sich (z.B. für Sender ohne eigenes Senderlogo) auf dem Bildschirm die Programmplatznummer die Senderkennung des gewählten Programmplatzes der Programmtyp (TV oder Radio) und die Bezeichnung des Satelliten (z.B. »19 Grad Ost« für Astra) einblenden.

#### Stereo-/Zweitwahl

Bei Sendern mit Stereoton werden oft auch Zweikanaltonsendungen übertragen (z.B. Deutsch, Englisch) Mit der gelben Taste können Sie zwischen Stereo und den einzelnen Tonträgern umschalten.

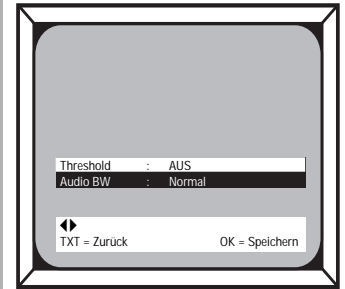
Nach einem Programmplatzwechsel ist die vorherige Einstellung wieder gültig. Im Menü kann die Toneinstellung dauerhaft geändert werden: siehe Abschnitt "Toneinstellungen" auf den Seiten 23/24.

#### Bild- und Tonverbesserung (Threshold Extension/DX)

Der STR 600 AP ist besonders geeignet zum Empfang sehr schwacher Signale, dazu dient die eingebaute, dreistufige Bild- und Tonverbesserungsschaltung (Threshold Extension: DX1, DX2, DX3).

1 Stellen Sie den entsprechenden Programmplatz ein und drücken Sie die Taste .

Folgende Menütafel erscheint.



2 Wählen Sie mit den Tasten in der ersten Zeile den besten Bildeindruck und bei DX-Betrieb in der zweiten Zeile den besten Klang.

Bei extrem schwachen Signalen kann es vorkommen, daß die Einblendung nicht sichtbar ist. Drücken Sie in diesem Fall die grüne Taste (grüner Bildhintergrund) und wählen Sie in der ersten Zeile die Einstellung **»DX2«**. Bei erneutem Drücken der grünen Taste erscheint das entsprechende TV-Bild.

3 Die eingestellten Werte können mit der Taste gespeichert werden.

4 Verlassen Sie das Menü mit der Taste .

Wenn Sie das Menü verlassen, ohne vorher zu speichern, werden nach einem Programmwechsel die vorhergehenden Werte wieder gültig.

Es kann nötig sein auch die Einstellung der Senderfrequenz des Programmes im Menü zu optimieren.

## Sendersuchlauf

- i** Mit dieser Funktion können Sie z.B. neu hinzugekommene Sender eines Satelliten schnell auffinden. Um alle Sender eines Satelliten zu finden, muß der Suchlauf für beide Polarisationsrichtungen (Horizontal und Vertikal) durchgeführt werden.
- 1** Mit der Taste **PERI** starten Sie den Suchlauf. Die Senderkennung wird in diesem Fall automatisch gelöscht. Statt »Frequenz« steht am Zeilenanfang »ATS« (Automatic Tuning System).
- 2** Wollen Sie den gefundenen Sender nicht speichern, können Sie mit der Taste **PERI** den Suchlauf erneut starten.
- 3** Um den gefundenen Sender zu speichern, drücken Sie die Taste **OK**. Automatisch wird in diesem Fall zum nächsthöheren Programmplatz geschaltet und der Suchlauf erneut gestartet. So können Sie in kurzer Zeit neu hinzugekommene Sender eines Satelliten neu programmieren.
- 4** Die Suchlauffunktion wird durch Drücken der Taste **EXIT** beendet.
- 5** Kontrollieren Sie nun die Einstellungen (z.B. Audio, Kontrast) der nachprogrammierten Sender und korrigieren Sie diese bei Bedarf.
- 6** In der Zeile »Name« kann die Senderkurzbezeichnung eingegeben werden.

## Polarisationsauswahl/Antennenauswahl/Mini DiSeqC bzw. 0/22 kHz-Auswahl

Pol./Ant. : Hor a / low

- i** In dieser Menüzeile kann die Antennenpolarisation und der LNB-Empfangsbereich gewählt werden, dafür stehen die Schaltsignale 14/18 V und 0/22 kHz am Antennenanschluß "INPUT SAT" bzw. eine Stromeinprägung für einen magnetischen Polarizer über die 10polige Steckerleiste am Receiver zur Verfügung

Die Zuordnung der Signale ist von dem gewählten Antennensystem abhängig. Die Tabelle "Systemanpassung" auf Seite 12 veranschaulicht die Zusammenhänge.

Wie Sie aus dieser Tabelle ersehen können (Spalte Antennenumschaltung), kann mit den dort aufgeführten Schaltsignalen über die Koaxialleitung mittels eines entsprechenden Relais auch auf eine andere z.B. fest ausgerichtete Antenne umgeschaltet werden (siehe Seite 8, Abschnitt "Anschluß einer zweiten Antenne").

Dabei bedeuten:

- Hor.: Empfang horizontaler Signale,  
Ver.: Empfang vertikaler Signale,  
a/b: Antennenauswahl mit geeignetem Relais  
low: schaltet zum unteren Frequenzbereich  
high: schaltet zum oberen Frequenzbereich

Welche Signale jeweils ausgegeben werden (z.B. 22 kHz, 14/18 V, Mini-DiSeqC) hängt von der Systemauswahl ab (siehe Seite 12).

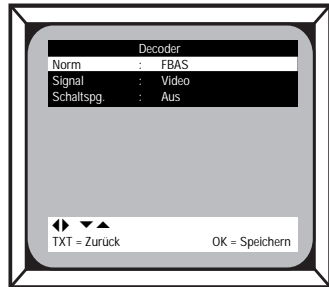
## Decodereinstellung/Schaltspannung

Decoder : Automatik

- i** Folgende Decodereinstellungen sind möglich:
- Automatik sollten Sie bei Decodern mit Schaltspannungsausgabe einstellen (z.B. Premiere), der Decoder schaltet sich automatisch in den Signalweg.
- Ein sollten Sie bei Decodern ohne Schaltspannungsausgabe wählen.

- 1** Wählen Sie im Hauptmenü mit den Tasten **◀ ▶** die gewünschte Einstellung.

- 2** Mit der Taste **MENUE** gelangen Sie in ein Untermenü für weitere Decodereinstellungen.



## Decodernormauswahl

- 1** In der Zeile »Norm« können Sie das Videosignal für den Decoder zwischen FBAS, Basisband linear, und Basisband PAL (Deemphasis) umschalten. Bestimmte Decoder benötigen diese Signaleinstellungen zur einwandfreien Decodierung.

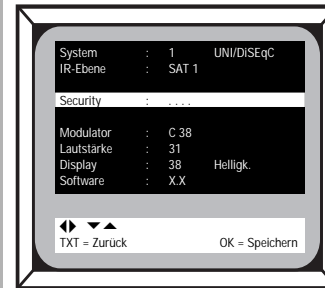
## Video-/Audio-Decodierung

- 1** In der Zeile »Signal« können Sie wählen, ob nur das Videosignal oder das Audio- und das Video-Signal decodiert werden sollen.

## Das Menü

## Sondermenü öffnen

- i** Im Sondermenü können verschiedene Betriebs-einstellungen geändert werden. Um diese nicht wesentlich zu verändern, wurde der Zugriff zu diesem Menü erschwert.
- 1** Um das Sondermenü zu öffnen, schalten Sie das Gerät mit Taste **⊕** in Bereitschaft.
- 2** Drücken Sie dann ca. 5 Sekunden die Taste **MENUE**. Folgende Tafel erscheint:



- 3** Mit den Tasten **▽ ▲** können Sie die gewünschte Zeile markieren.
- i** Mit der Taste **EXIT** können Sie das Menü wieder verlassen.

## Antennensystem wählen (System)

- i** Sie können den Receiver an unterschiedliche Antennenempfangssysteme anpassen (Erläuterungen siehe Seite 12).
- 1** Öffnen Sie, wie am Anfang dieses Kapitels beschrieben das Sondermenü.
- 2** Wählen Sie in der Zeile »System« mit den Tasten **◀ ▶** die gewünschte Einstellung.
- 3** Speichern Sie mit **OK**.

## Fernbedienebene umstellen (IR-Ebene)

- i** Wenn Sie zwei GRUNDIG SAT-Receiver im selben Raum verwenden, sollte einer der SAT-Receiver auf die zweite Fernbedienebene umgeschaltet werden. Nur dann lassen sich beide unabhängig voneinander bedienen.
- i** Den STR 600 AP können Sie folgendermaßen umstellen:
- 1** Öffnen Sie, wie am Anfang dieses Kapitels beschrieben das Sondermenü.

- 2** Mit den Tasten **◀ ▶** können Sie in der Zeile »IR-Ebene« die gewünschte Fernbedienebene einstellen (1 oder 2).
- 3** Speichern Sie mit **OK**.
- 4** Um mit der Fernbedienung Befehle auf der zweiten Fernbedienebene zu geben, drücken Sie die Taste **SAT 2** und gleichzeitig die gewünschte(n) Funktionstaste(n).

## Kindersicherung (Security)

- i** Im Auslieferungszustand ist die Kindersicherung (»Security«) ausgeschaltet.
- i** Kindersicherung einschalten
- 1** Öffnen Sie, wie am Anfang dieses Kapitels beschrieben, das Sondermenü.
- i** Bei ausgeschalteter Kindersicherung erscheint folgende Zeile »Security : . . . .«. Die vier Punkte geben an, daß keine Codezahl gespeichert ist.
- 2** Geben Sie mit den Zifferntasten die eine beliebige vierstellige Codezahl ein.
- i** Merken Sie sich die Codezahl gut oder notieren Sie sie an einer nur Ihnen zugänglichen Stelle.
- i** Die Zeile lautet jetzt beispielsweise »Security : 7 2 8 4«.
- 3** Speichern Sie mit **OK**, damit ist die Kindersicherung eingeschaltet.
- i** Die Zeile lautet jetzt »Security : \* \* \* \*«. Die vier Sterne zeigen, daß eine vierstellige Codezahl gespeichert ist. Die Kindersicherung ist damit eingeschaltet, der Bildhintergrund ist rot.
- i** Das Gerät läßt sich mit der Taste **⊕** in Bereitschaft schalten.
- i** Bei eingeschalteter Kindersicherung...
- i** Sobald Sie den Receiver aus Bereitschaft (Stand-by) einschalten erscheint auf dem Bildschirm vor rotem Bildhintergrund die Meldung »Security : . . . .«.
- 1** Geben Sie die gültige vierstellige Codezahl der Kindersicherung ein.
- i** Sie können jetzt auf alle Programme zugreifen, bis Sie den Receiver wieder in Bereitschaft (Stand-by) schalten.

## Sonderfunktionen



- Kindersicherung ausschalten
- 1 Öffnen Sie, wie am Anfang dieses Kapitels beschrieben, das Sondermenü.
  - 2 Bei eingeschalteter Kindersicherung erscheint folgende Zeile »Security : \* \* \* \* \*«.
  - 3 Geben Sie mit den Zifferntasten die gültige vierstellige Codezahl ein.
  - 4 Sobald die richtige Codezahl vollständig eingegeben ist, erscheint »Security : . . . . «.
  - 5 Speichern Sie mit **OK**, die Kindersicherung ist damit ausgeschaltet und die Codezahl gelöscht.

- Codezahl vergessen?
- i** Sollten Sie die Codezahl der Kindersicherung vergessen haben, gehen Sie folgendermaßen vor.
- 1 Schalten Sie den Receiver aus Bereitschaft z.B. mit der Taste **△** ein.
  - 2 Bei eingeschalteter Kindersicherung erscheint vor rotem Bildhintergrund folgende Zeile: »Security : . . . . «.
  - 3 Drücken Sie nacheinander die Tasten **⊙** **⊙** **▽** **△**.
  - 4 Auf dem Bildschirm erscheint kurzzeitig die Meldung »Security : . . . . gelöscht«. Die Codezahl ist damit gelöscht und die Kindersicherung ausgeschaltet.

### Modulatorkanal ändern

- i** Erläuterungen siehe Punkt 6 auf Seite 8.
- 1 Öffnen Sie, wie am Anfang dieses Kapitels beschrieben, das Sondermenü.
  - 2 Ändern Sie bei Bedarf in der Zeile »Modulator« mit den Tasten **⊙** **⊙** den Ausgangskanal des Modulators zwischen 21 und 60.
  - 3 Speichern Sie mit **OK**.
  - 4 Das TV-Gerät muß auf den selben Kanal eingestellt werden (siehe Punkt 6 auf Seite 8)

### Lautstärke

- i** Mit der Sonderfunktion »Volume« kann die Lautstärke der Satellitenprogramme an die der terrestrischen Programme angeglichen werden. Die Einstellung ist nur global – nicht für einzelne Programmplätze – möglich.
- 1 Öffnen Sie, wie am Anfang dieses Kapitels beschrieben, das Sondermenü.
  - 2 in der Zeile »Volume« können Sie mit den Tasten **⊙** **⊙** die gewünschte Lautstärke einstellen.
  - 3 Speichern Sie mit **OK**.

### Display-Helligkeit

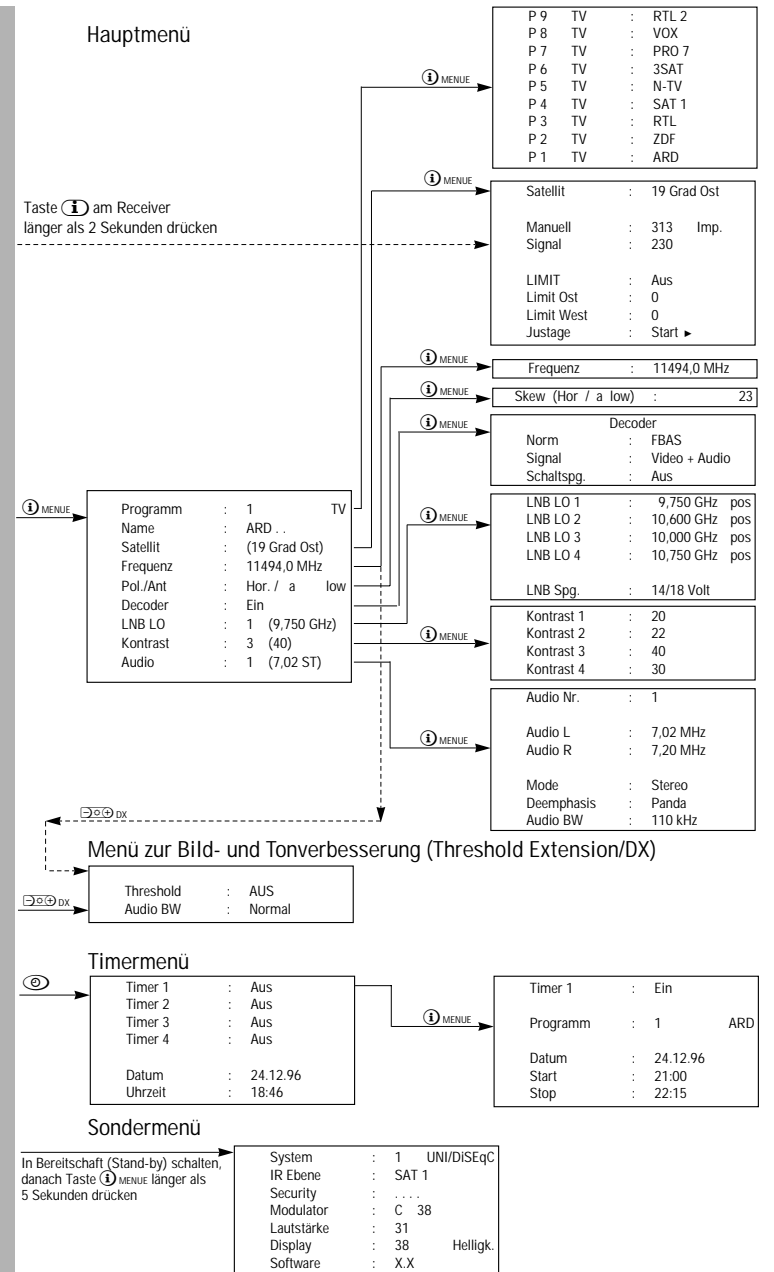
- i** Mit dieser Funktion können Sie die Helligkeit der Anzeige am Receiver einstellen.
- 1 Öffnen Sie, wie am Anfang dieses Kapitels beschrieben, das Sondermenü.
  - 2 in der Zeile »Display« können Sie mit den Tasten **⊙** **⊙** die gewünschte Helligkeit einstellen.
  - 3 Speichern Sie mit **OK**.

### Softwareversion

- i** In der Zeile »Software« ist der Softwarestand Ihres Gerätes angegeben. Diese Angabe ist lediglich für Händler und Kundendienst von Bedeutung.

### Datalink

- i** Die kompletten Speicherdaten eines STR 600 AP können zu einem anderen STR 600 AP übertragen werden.
- 1 Verbinden Sie dazu die Buchsen MEGALOGIC SAT (Abbildung Seite 5) beider Receiver mit einem Cinch-Kabel.
  - 2 Schließen Sie beide Receiver ans Netz und schalten Sie sie ein.
  - 3 Das Menü des sendenden Receivers darf nicht geöffnet sein (in der Anzeige des Receivers darf nicht »MENU« erscheinen).
  - 4 Der empfangende Receiver darf nicht in Bereitschaft (Stand-by) sein.
  - 5 Drücken Sie etwa 5 Sekunden die Taste **⊙** des Receivers, dessen Daten Sie kopieren wollen (sendender Receiver).
  - 6 In der Anzeige des sendenden Receivers steht während der Datenübertragung »Sende«, in der Anzeige des empfangenden Receivers »Empfang«.
  - 7 Die Datenübertragung dauert etwa 9 Minuten.
  - 8 Erscheint »Fehler« im Anzeigefeld, kontrollieren Sie bitte die Verbindung des Cinch-Kabels und starten Sie die Übertragung erneut.



## Operating Hints

This chapter contains excerpts from the operating instructions. For further particulars please refer to the appropriate user instructions the part number of which is indicated in the relevant spare parts list.



### Front Side/The Receiver's Controls

- ① Switches the receiver in stand-by and on again. No disconnection from the mains!
- ② Panda Logo\*
- ③ The yellow indication is lit if a Timer is "active" (the preprogrammed timer time is elapsing).
- ④ The red stand-by pilot lamp is lit if the receiver is in stand-by.
- ⑤ The receiver's display (see description in next column).
- ⓘ This key is protected against inadvertent actuation. Press it for more than 2 seconds to call up the menu for adjusting the aerial motor.
- EXIT Exit menu (without saving).
- PIP- – Select programme positions step-by-step (long pressure: scrolling).  
– Switch on from stand-by with last selected programme position (last station memory).  
– When in a menu: select a line.
- ⊕ ⊖ – Change volume. If the volume is very low, "Vol min" appears on the picture screen.  
– When in a menu: change value
- Ⓜ – Indication of the station name and of the satellite on the picture screen.  
– When in a menu: save setting.

**MEGALOGIC** Ideal matching of GRUNDIG video recorder and GRUNDIG SAT receiver. Only the video recorder needs programming. Recording control then takes place automatically via data transmission from the video recorder to the SAT receiver using a control cable. For more information, see page 27.

\* Panda/Wegener Communications Inc.  
Award for supreme sound quality.

### The Receiver's Display

**999**

3-digit programme position indication.



Indicates the aerial run.

**ARD**

8-digit display.

– On normal operation, it indicates the station name of the selected programme position.

– If a menu is displayed, it indicates "Menu".

– If the aerial is running, it indicates, for example, "0 12 V" and the position reached, for example "13° Ost".

1 2 3 4

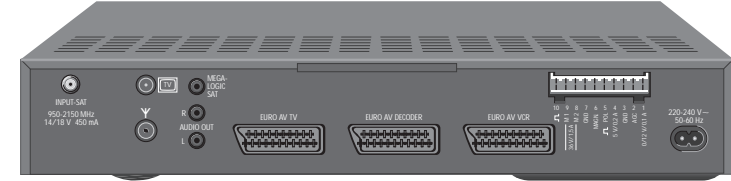
Indicates which internal timer is programmed.

**TIMER**

Is lit if at least one timer is programmed.

**RADIO**

Is lit if a radio programme position is selected.



### Rear side

- INPUT SAT** Connector for satellite aerial.  
Output for terrestrial aerial and SAT-UHF output.
- Y** Input for terrestrial aerials (VHF/UHF).
- MEGALOGIC SAT** Connector for remote control by various GRUNDIG video recorders (see chapter "SAT Recording Control via a GRUNDIG Video Recorder (MEGALOGIC SAT" on page 27) and the "Datalink" function (see page 30).
- AUDIO OUT R/L** Audio connectors for the connection of hi-fi equipment  
R: right, L: left
- EURO-AV TV** EURO-AV socket (output) for TV set with RGB signal loop-through from decoder socket.
- EURO-AV DECODER** EURO-AV socket (input/output) for PAL/MAC decoder or a second video recorder (see chapter "Decoder Socket/Switching Voltage, page 21).
- EURO-AV VCR** EURO-AV socket (input/output) for video recorder.
- 220-240 V 50-60 Hz** Mains connector for plug-in mains cable. The unit is only disconnected from the mains when the mains plug is removed!

### Pin Assignment

1 2 3 4 5 6 7 8 9 10  
(10-pin connector):

The plug can be removed, the indications (1 ... 10) can be seen from the top.











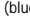
| Pin | Designation  | Connection  |
|-----|--------------|---|
| 1   | 0/12 V/0,1 A | Switching voltage output for LNB switching, relay, or similar.    |
| 2   | AGC          | Field strength measuring output for exact aerial positioning.     |
| 3   | GND          | Ground  |
| 4   | +5 V/0,2 A   | Output for motor polarizer or actuator.                           |
| 5   | ┘┘ POL.      | Control impulse voltage (output) to motor polarizer.              |
| 6   | MAGN.        | Current supply for magnetic polarizer ±70 mA/max. ±12 V           |
| 7   | GND          | Ground  |
| 8   | M2           | Operating voltage for 36 V rotating motor (positive on east run)* |
| 9   | M1           | Operating voltage for 36 V* rotating motor                        |
| 10  | ┘┘           | Control impulse voltage (input from rotating motor)               |

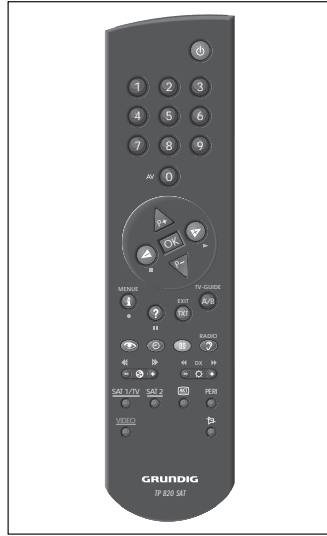
\* Maximum nominal current consumption 1.5 A, brief peak values of 2.5 A are possible.

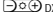







## The Remote Control Unit

- 1 The universal remote control TP 820 SAT can be used to perform all control functions and basic settings.
- 2 The remote control unit can also be used to control TV sets from GRUNDIG and many other makes (see chapter on "Universal Remote Control" on page 7).
- 3 Several keys on the remote control have special functions in the menu (see page 19).
- 4 Please insert the batteries supplied observing correct polarity! Markings on the base of the battery compartment indicate this. Close the cover.
- 5 Please change used batteries promptly. We can accept no liability for damage caused by leaking batteries!

### Key Functions

- ⏻ Switch receiver to stand-by
- 0...9 The required programme position is selected directly by pressing the digit keys, e.g. P 123.  
When selecting a multi-digit programme position, the digits are entered in order from left to right. So, in the example, you would enter 1, 2 and 3.  
In this way you can select up to 999 SAT programme positions (SAT TV and SAT radio).  
– Switch receiver on from stand-by.
-  Switch through programme positions step by step and switch on from stand-by to the last programme position selected (last station memory).
-  – Display station name and satellite on the picture screen.  
– When in a menu: save.
- In SAT mode: alter volume (at very low volume, "Volume min" is displayed on the screen).
-  MENU Display on-screen menu guide
-  Without function
-  EXIT Exit menu (without saving).
-  TV-GUIDE Without function
-  (red) Function when in a menu
-  (green) – Call up Timer menu.  
– Function when in a menu
-  (yell.) Switch between stereo, right and left sound channel.
-  RADIO Switch between SAT-TV and SAT radio mode.
-  – In TV mode\*: alter colour contrast setting of TV set.


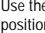
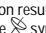


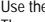
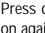

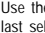

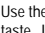

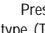


-  DX – In SAT mode: display menu for picture and sound improvements (see chapter "Using the Receiver", page 18).  
– In TV mode\*: alter brightness setting of TV set.
-  SAT-TV TV mode\*. Control of a TV set by pressing this key and the desired function key simultaneously\*.
-  SAT-2 Control of a second SAT receiver (IR level 2) by pressing this key and the desired function key simultaneously\*.
-  Without function.
-  PERI Certain TV sets switch automatically from terrestrial mode to AV mode when the SAT receiver is switched on.  
The  PERI key can be used to switch the TV set back to terrestrial mode.
-  VIDEO Video mode\*. Control of a video recorder by simultaneously pressing this key and the desired function key having the corresponding orange symbol.
-  Mute sound; display: "SAT Mute".

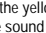
\* See also chapter "Universal Remote Control" on page 7.

## Using the Receiver (with the Keys on the Remote Control)


### Using the Receiver (with the keys on the remote control)

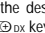
-  **Selecting a programme position**  
Use the  keys to step through the programme positions, or use the numeric keys to directly enter the programme position number.  
If the programme selection results also in the selection of a new satellite, the  symbol and a flashing arrow in west or east direction are displayed.
-  **Overload protection**  
If the motor current of the rotating aerial is too high over a longer period of time, the unit switches to stand-by to prevent an overload of the electronic circuits.
-  **Stand-by**  
Use the  key to switch the receiver to stand-by. The programme position indications disappear on the receiver. The red LED signals the stand-by mode.  
Press one of the  keys to switch the receiver on again with the last selected programme position (last station memory), or select the desired programme position directly with the numeric keys  
Even when the receiver is in stand-by, you can play a video cassette or display the menu from the video recorder on the TV screen. In this case, the signal is looped through from the video recorder via the SAT receiver to the TV set. If the receiver is in standby, its display indicates "\*RU\*".
-  **Switching between TV and Radio Programme Positions**  
Use the blue  RADIO key to switch between the last selected TV programme position and the last selected radio programme position. In radio mode the picture screen is switched blue – only the station name, the satellite name and the word "RADIO" are displayed. In the display the word "RADIO" is lit.
-  **Volume**  
Use the  keys to adjust the volume to suit your taste. If the volume is very low, "Vol min" is displayed on the picture screen.
-  **Displaying the Station Identification**  
Press the  key to display the programme type (TV or radio), the programme position number, the station name (e.g. for stations without own programme logo) and the satellite name (e.g. "19 ° East" for Astra).

### Stereo/dual-channel sound

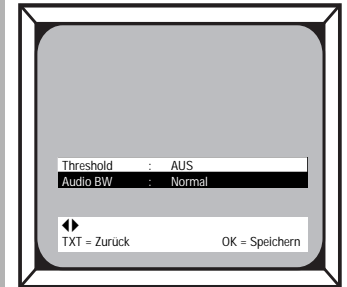
Stations with stereo sound broadcast often also two-channel sound programmes (e.g. German, English). Use the yellow  key to switch between stereo and the sound channels. When switching to another programme position, the previous setting is restored. The setting can permanently be changed in the menu: see section "Audio Settings" on the pages 23/24.

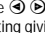

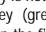
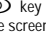
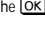

### Picture and sound improvement (threshold extension/DX)


 The STR 600 AP is especially suited for the reception of very weak signal. This is accomplished by its integrated three-stage threshold extension circuit DX1, DX2, DX3.

- 1 Select the desired programme position and press the  DX key.

The following menu is displayed:



- 2 Use the  keys to select in the first menu line the setting giving the best picture impression and in the second line the setting giving the best sound impression in DX mode.
-  If the signals are extremely weak, it may happen that the display is not visible. In this case, press the green  key (green screen background) and select "DX2" in the first menu line. When pressing the green  key once again, the TV picture appears on the screen.
- 3 Press the  key if you wish to save the selected values.
- 4 Press the  key to exit the menu.

 If you exit the menu without saving the setting, the previous values are restored when changing the programme position.

It may be necessary to optimize also the setting of the transmission frequency for the programme in the menu.

### Automatic station search

**i** With this function, you can quickly search all new stations of a satellite. To find all stations of a satellite, the station search must be effected both for vertical and horizontal polarization.

**1** Press the **O** PERI key to start the station search.

In this case, the station name is automatically cleared. The indication "ATS" appears instead of the "Frequenz" indication at the beginning of the menu line. (ATS = Automatic Tuning System).

**2** If you do not wish to store the found station, restart the station search by pressing the **O** PERI key once again.

**3** To store the found station, simply press the **OK** key. The receiver then switches automatically to the next higher programme position and the station search is restarted. In this way, you can programme in a fast way all new stations of a satellite.

**4** Finish the station search with the **EXIT** key.

**5** After completing the station search, check the settings (e.g., audio, contrast) of the new stations and correct them if necessary.

**6** The station name can be entered in the menu line "Name".

### Selecting the polarization/aerial/Mini DiSeqC or 0/22 kHz

Pol./Ant. : Hor a / low

**i** In this menu line, it is possible to select the aerial polarization and the LNB reception range. For this, the switching signals 14/18 V and 0/22 kHz are available at the "INPUT SAT" aerial connector, or an impressed current for a magnetic polarizer at the 10-pin connector on the receiver.

The Signal assignment depends on the selected aerial system. The table "System adjustment" on page 12 shows the relations.

As can be seen in the table (Aerial switching column), it is also possible to switch to a fixed mounted aerial via a coaxial lead and a relay by means of the indicated switching voltages (see page 8, section "Connection of a second aerial").

Meaning of the abbreviations:

Hor.: Reception of horizontal signals

Ver.: Reception of vertical signals

a/b: Aerial selection with an appropriate relay

low: Switching to the low frequency range

high: Switching to the high frequency range

The signals which are emitted (e.g. 22 kHz, 14/18 V, Mini-DiSeqC) depend on the system selected (see page 12).

### Decoder settings/switching voltage

Decoder : Automatik

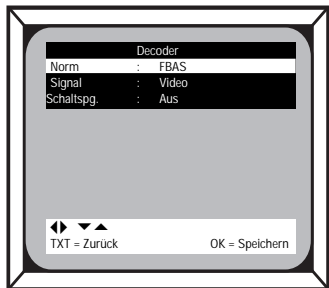
**i** The following decoder settings are possible:

**Automatik** Select this option for decoders which supply a switching voltage (e.g. Premiere): the decoder then is automatically switched into the signal path.

**Ein** Select this option for decoders without switching voltage generation.

**1** Use the **←** **→** keys to select the desired setting in the main menu.

**2** Press the **MENUE** key to display a submenu for further decoder settings.



### Decoder norm selection

**1** In the "Norm" menu line, you can switch the video signal for the decoder between FBAS, linear baseband, and PAL baseband (de-emphasis). Certain decoders require these signal settings for correct operation.

### Video/audio decoding

**1** In the "Signal" menu line, you can select whether only the video signal or the video and the audio signal is to be decoded.

## The On-Screen Menu Guide

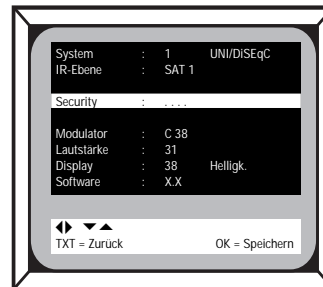
### Opening the Special Menu

**i** The special menu is provided for changing various basic settings. In order to prevent an inadvertent change of these settings, the access to this menu has been made more difficult.

**1** To access the special menu, first switch the receiver to stand-by by pressing the **⏻** key.

**2** Then press the **MENUE** key for 5 seconds.

The special menu is displayed:



**3** Use the **▽** **△** keys to mark the desired menu line.

**i** Press the **EXIT** key to exit the menu.

### Selecting the Aerial System

**i** You can adjust the receiver to different aerial systems (refer to page 12).

**1** Open the special menu as explained further up.

**2** Use the **←** **→** keys to select the desired setting in the "System" menu line.

**3** Store with the **OK** key.

### Changing the Remote Control Mode (IR Level)

**i** If you use two GRUNDIG SAT receivers in the same room, you should switch one receiver to the second remote control mode. Only then the two receivers can separately be controlled.

**i** The remote control mode of the STR 600 AP can be changed as follows:

**1** Open the special menu as described further up.

**2** Use the **←** **→** keys to select the desired remote control mode (1 or 2) in the "IR-Ebene" menu line.

**3** Store with **OK**.

**4** To give remote control commands in the second control mode, press and hold down the **SAT2** key while pressing the desired function key(s).

### Security Function

**i** At the factory the security function is deactivated.

#### Activating the security function

**1** Open the special menu as described further up.

**i** When the security function is deactivated, "Security : . . . ." is displayed. The four dots indicate that no security code is stored.

**2** Enter any four-digit code with the numeric keys.

**i** Be sure to remember the code number or note it down and keep it in a location which is accessible only to you.

**i** After the code entry, "Security : 7 2 8 4", for example, is displayed.

**3** Press the **OK** key to store the code. This activates automatically the security function.

**i** "Security : \* \* \* \*" is shown in the menu line. The four asterisks indicate that a four-digit security code is stored. The security function is activated and the picture background is red.

**i** The receiver can be switched to stand-by by pressing the **⏻** key.

#### When the security function is activated...

**i** When switching on the receiver from stand-by, "Security : . . . ." appears on red background on the picture screen.

**1** Enter your four-digit security code.

**i** You now have access to all programmes until you switch the receiver to stand-by again.

## Special Functions

- Deactivating the security function
- 1 Open the special menu as described further up.
  - i** When the security function is activated, the "Security: \* \* \* \* \*" line appears.
  - 2 Enter the four-digit code with the numeric keys.
  - i** After entering the correct code number, the "Security: . . . ." line appears.
  - 3 Press the **OK** key to deactivate the security function and to clear the code number.

- Have you forgotten your code number?
- i** If you should have forgotten your code number, proceed as follows.
  - 1 Switch on the receiver from stand-by, for example, by pressing the **△** key.
  - i** With the security function activated, "Security: . . . ." appears on red background on the picture screen.
  - 2 Press one after the other the keys **▶ ◀ ▽ ▲**.
  - i** The message "Security : . . . . gelöscht" appears briefly on the picture screen. The code number is cleared and the security function is deactivated.

### Changing the Modulator Channel

- i** For further information, see point 6 on page 8.
- 1 Open the special menu as described further up.
- 2 Use the **◀ ▶** keys to change the output channel of the modulator between 21 and 60 in the "Modulator" menu line.
- 3 Press **OK** to store the setting.
- 4 The TV set must be set to the same channel (see point 6 on page 8).

### Volume

- i** The special function "Volume" allows for adjusting the volume of the satellite programmes to the volume of the terrestrial programmes. This adjustment is global – it is not possible for individual programme positions.
- 1 Open the special menu as described further up.
- 2 Use the **◀ ▶** keys to adjust the desired volume in the "Volume" menu line.
- 3 Press **OK** to store the setting.

### Display Brightness

- i** With this function, you can adjust the display brightness of the receiver.
- 1 Open the special menu as described further up.
- 2 Use the **◀ ▶** keys to adjust the desired brightness in the "Display" menu line.
- 3 Press **OK** to store the setting.

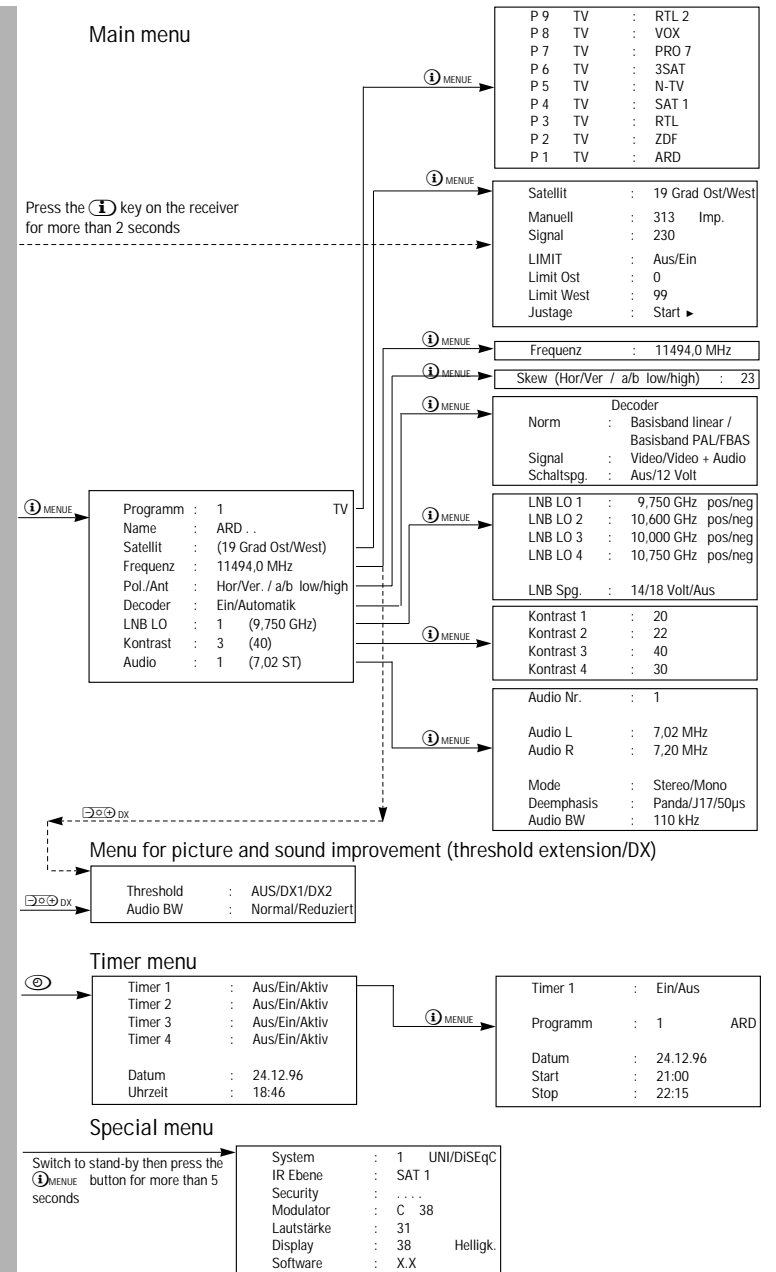
### Software Version

- i** The software version of your receiver is indicated in the "Software" menu line. This indication is of interest for the dealer and the service personnel only.

### Datalink

- i** It is possible to transfer the data stored in one STR 600 AP to another STR 600 AP.
- 1 For this, connect the MEGALOGIC SAT sockets of both receivers with a Cinch cable. (See Figure on page 5).
- 2 Connect both receivers to the power supply and switch them on.
- !** The menu of the transmitting receiver must be closed ("MENU" must not be visible in the display of the receiver).
- !** The target receiver must not be in stand-by.
- 3 Press the **Ⓜ** key for 5 seconds on the sending receiver (whose data is copied).
- i** During the data transfer, "Sende" appears in the display of the sending transmitter, and "Empfang" in the display of the target receiver.
- i** The data transfer takes about 9 minutes.

If "Fehler" (Error) appears in the display, check the connection of the Cinch cable and repeat the transmission.



## D Service- und Sonderfunktionen

**Aufruf:** Im Standby-Betrieb die Nah- oder Fernbedientaste "i" > 5sec gedrückt halten. Am Bildschirm erscheint das Sondermenü.

### 1. System

- Diese Einstellung ist abhängig vom LNC-Typ und welche LNC-Kombination verwendet wird. z.B.

- 1 UNI/DiSEqC: 14/18V → Pol. H/V, 22kHz → Band Lo/Hi, DiSEqC → Spiegel a/b
- 2 SKEW/22kHz: 14/18V → Band Lo/Hi, 22kHz → Spiegel a/b, SKEW → Pol. H/V
- 3 SKEW/DiSEqC: 14/18V → Band Lo/Hi, DiSEqC → a/b, SKEW → Pol. H/V

- Mit "OK" speichern oder mit "TXT" abbrechen.

### 2. Infrarot (IR)-Ebene umstellen (z.B. bei zwei SAT-Receiver)

- Mit den Fernbedientasten ► ◀ die SAT-Ebene 1 oder 2 im Sondermenü auswählen.

- Mit "OK" speichern oder mit "TXT" abbrechen.

### 3. Security (Kindersicherung)

Eingabe: (Menühintergrund blau)

- Im Sondermenü die Zeile "Security" aktivieren und Codezahl eingeben und mit "OK" bestätigen.

Löschen: (Menühintergrund rot)

- Im Sondermenü die Zeile "Security" aktivieren, bekannte Codezahl eingeben und mit "OK" bestätigen.

Bei unbekannter Codezahl hebt die Tastenfolge ► ◀ ▼ ▲ die Sperre auf.

### 4. Modulator

- Über die Menüführung können Sie im Sondermenü mit den Tasten ► ◀ den Kanal des Modulators von 21...60 einstellen.

- Mit "OK" speichern oder mit "TXT" abbrechen.

### 5. Lautstärkebegrenzung (Volume)

- Im Sondermenü können sie mit den Tasten ► ◀ die Lautstärke des SAT-Receiver (TV Scart) an Ihr Fernsehgerät anpassen (0...31).

- Mit "OK" speichern oder mit "TXT" abbrechen.

### 6. Display Helligkeit

- Im Sondermenü können sie mit den Tasten ► ◀ die Helligkeit der Geräte-Anzeige einstellen (1...38).

- Mit "OK" speichern oder mit "TXT" abbrechen.

### 7. Software-Version

- Im Sondermenü wird in dieser Zeile die Software-Version des OTP- bzw. Maskenprozessors angezeigt.

### 8. Überprüfung der Peri-Schaltspannungen

- Mit der "Peri"-Taste der Fernbedienung können Sie die jeweilige Video-Signalquelle an der TV-Buchse abrufen. Die Peri-Taste schaltet die AV-Schaltspannungen um.

A1 = Decoder, A2 = VCR, SAT-TV.

### 9. Data Link Übertragung

Zur gleichen Senderprogrammierung mehrerer STR.

- Beide Geräte mit einem Cinch-Kabel an der Remote-Buchse verbinden.

- Master-Receiver in den Programm-Mode (keine Menü-Einblendung) schalten. Taste "OK" > 5sec drücken. Anzeige am Display während der Übertragung der Programmdatei "Senden".

Anzeige am Display des Slave-Gerätes während der Übertragung "Empfangen".

Nach fehlerfreier Programmierung schalten beide Receiver in den Programm-Mode.

Ist die Übertragung fehlerhaft, erscheint am Display die Anzeige "Fehler". Vorgang wiederholen.

### 10. Programmdatei mit PC einspielen

Zur individuellen Veränderung der Programmdatei.

- Programmmanager PMS 1 mit der Remote-Buchse des SAT-Receiver über ein Cinch-Kabel verbinden.

Damit kann der PC über den I<sup>2</sup>C-Bus des Receivers die gewünschte Programmbelegung einspielen.

## GB Service and Special Functions

**Calling up:** Depress and hold the "i" button on the receiver or the remote control handset for > 5 sec. The special menu appears on the screen.

### 1. System

- This setting depends on the type of LNC and which combination of LNC's is used. Example:

- 1 UNI/DiSEqC: 14/18V → Pol. H/V, 22kHz → Band Lo/Hi, DiSEqC → Reflector a/b
- 2 SKEW/22kHz: 14/18V → Band Lo/Hi, 22kHz → Reflector a/b, SKEW → Pol. H/V
- 3 SKEW/DiSEqC: 14/18V → Band Lo/Hi, DiSEqC → a/b, SKEW → Pol. H/V

- Store with "OK" or terminate with "TXT".

### 2. Changing the Infrared (IR) Level (e.g. for two SAT Receivers)

- Select the infrared level 1 or 2 in the special menu using the remote control buttons ► ◀.

- Store with "OK" or terminate with "TXT".

### 3. Security (parental lock)

Entering the code: (blue menu background)

- Activate "Security" in the special menu and enter the code number. Confirm with "OK".

Cancelling the code: (red menu background)

- Activate "Security" in the special menu and enter the known code number. Confirm with "OK".

If the code number is not known it can be cancelled by pressing the buttons ► ◀ ▼ ▲ in this order.

### 4. Modulator

- Following the menu guide it is possible to set the channel of the modulator in the special menu to 21...60 using the buttons ► ◀.

- Store with "OK" or terminate with "TXT".

### 5. Volume Level Limiting

- With the special menu it is possible to match the volume level of the SAT receiver (TV Scart) to that of your television receiver using the ► ◀ buttons (0...31).

- Store with "OK" or terminate with "TXT".

### 6. Display Brightness

- With the special menu it is possible to change the display brightness (1...38) with the buttons ► ◀.

- Store with "OK" or terminate with "TXT".

### 7. Software Version

- The software version of the OTP or mask processor is indicated under this item of the special menu.

### 8. Checking the Peri Switching Voltages

- The "Peri" button on the remote control handset allows to call up the respective video signal source on the TV socket. The Peri button switches over the AV switching voltages.

A1 = Decoder, A2 = VCR, SAT-TV.

### 9. Data Link Transfer

For programming the same channel table on several STR receivers.

- Connect both receivers with a Cinch cable to the remote socket.

- Switch the Master receiver to Programme mode (no menu displayed). Depress the "OK" button for > 5sec. The indication "Send" is displayed on the screen during the programme data is transferred. On the Slave receiver, the display shows "Receive" during the data transfer.

On successful completion of the programming both receivers switch to Programme mode.

If the data transfer was not successful, the indication "Error" appears on the display. Repeat.

### 10. Entering the Programme Data via a PC

For changing the programme data individually.

- Connect the Programme Manager PMS 1 with the remote socket of the SAT receiver using a Cinch cable.

The PC can transfer now the desired channel allocation via the I<sup>2</sup>C-bus of the receiver.



# D Schaltungsbeschreibung

## 1. Netzteil

### 1.1 Allgemein

Die Generation des TOPSwitch-Sperrwandlernetzteils zeichnet sich durch nur geringe Außenbeschaltung des PowerMOSFET-IC1600 und einer festen Schaltfrequenz von 100kHz aus. Die Regelung und Fehlererkennung wird ausschließlich über eine Impulsbreitenmodulation (PWM) vorgenommen.

### Anschlüsse des IC1600

Drain Pin:

Drain-Ausgang des internen MOSFET-Transistors T1. Er liefert den Startstrom für die Anlaufphase über einen eingebauten Hochvoltschalter und mißt den Strom über  $Z_C$ .

Control Pin:

Fehlererkennung und Regelungseingang für den internen Shuntregler im Normalbetrieb. Außerdem Eingang für die Versorgungsspannung, Triggereingang für die Schutzschaltung und Wiederanlauf nach automatischer Abschaltung.

Source Pin:

Source-Ausgang des internen MOSFET-Transistors T1. Primärmasse des Netzteils und Bezugspunkt.

### 1.2 Funktion

Die Stromversorgung für das Drain des IC1600 liefert der Gleichrichter D1600 über die Wicklung 11, 7 des Sperrwandlertrafos TR 1600. Am Ladeelko C1612 steht bei 230V Netzspannung ca. 320V.

Nach Anliegen der Betriebsspannung schwingt der interne Oszillator an. Während der Leitphase des ICs wird Energie im Übertrager gespeichert und während der Sperrphase über die Sekundärwicklung abgegeben. Um die Sekundärspannungen stabil zu halten, wird der Control-Eingang des IC1600 (typ. 5,7V) mit einer Referenzspannung über den Optokoppler OK1601 geregelt.

### 1.3 Regelung

Steigt die Belastung im Trafo, sinken alle Spannungen und damit auch die Spannung am Regelverstärker TL431-(3) über den Spannungsteiler CR3050, CR3052. Dadurch sinkt der Strom durch die Kathode des TL431 und die LED im Optokoppler OK1601 wird dunkler. Der Transistor zwischen Pin 4 und Pin 5 wird hochohmiger. Die Spannung wird kleiner im Verhältnis zur Sägezahnspannung an Pin 5 und damit wird die Leitzeit des Hochvolttransistors T1 im IC1601 länger. Somit regelt die Spannung hoch.

Liegt auf der Sekundärseite ein Kurzschluß vor, steigt der Strom durch den MOSFET an und die eingebaute Schutzschaltung taktet das Netzteil im Rhythmus von 1-2 Sekunden. Entfällt die Belastung, schaltet die Auto-Restartstufe im IC erneut selbsttätig das Netzteil ein. Die Dioden D1632, D1633 begrenzen die Spannungsspitzen der Überschwinger am Drainausgang des IC1600.

### 1.4 Sekundärspannungen

- +33V: Abstimmspannung für den SAT-Tuner und Modulator über Diode D1641.
- +19V: LNC-Versorgungsspannung über die Diode D1661.
- +12V: Versorgungsspannung über Diode D1691 für die Signalverarbeitung.
- 12V: Versorgungsspannung über Diode D1651 für die SKEW-Einstellung IC1300.
- +5V: Betriebsspannung über Diode D1681 für die Erzeugung der +5V OSD, für den Modulator, die Motorsteuerung, den Tuner und die SKEW-Einstellung.
- +5V/OSD: Betriebsspannung für den OSD-Prozessor CIC1331 erzeugt aus der +5V-Spannung an CIC1331-(17)
- +5VExt: Externe Versorgungsspannung über die Diode D1672 an der Klemmleiste des STR 600 AP.
- +5V/D: Versorgungsspannung aus dem Zusatz-Netzteil IC1601, TR3030, D3033 und IC3033 für den  $\mu P$  CIC1401, und Bedienteil.

### 1.5 LNC-Spannungsumschaltung 14/18V

Die LNC-Empfangsebene wird mit Hilfe des Linearreglers IC1655 umgeschaltet. Die Information dafür bekommt der Regler von dem Umschaltbefehl  $U_{14/18V,A}$  über den Transistor CT1675. Mit dem Einsteller R1663 kann bei Bedarf die LNC-Oberspannung angehoben werden.

### 1.6 LNC-Spannungsabschaltung

Zur LNC-Spannungsabschaltung legt der Befehl  $U_{LNCOFF}$  den IC1655-(1) über CT1709 nach Masse.

### 1.7 Standby-Betrieb

Für den Standby-Betrieb schaltet die Schaltspannung  $U_{Standby}$  den Control-Eingang des IC1600 über OK1600 und CT1610 nach Masse und damit die Betriebsspannungen der Sekundärseite ab. Leistungsaufnahme des Gerätes in Standby < 2W.

### 1.8 Schaltfrequenz 22kHz

Die Schaltspannung  $U_{22kHz}$  legt die 22kHz-Schaltfrequenz, IC2100-(29), über CT1650, CT1710 an den Linearregler IC1650-(1). Damit wird die LNB-Spannung mit einem 22kHz-Signal von ca. 600mV<sub>ss</sub> überlagert. Dieses 22kHz-Ausgangssignal kann, je nach Wahl, auch mit einem Simple DiSEqC-Protokoll impulsmoduliert werden.

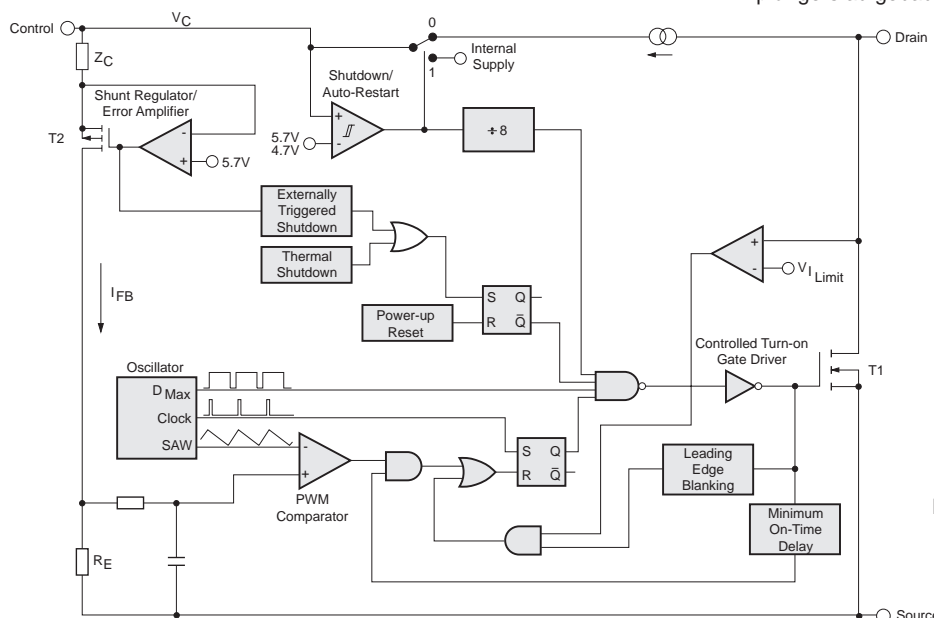
## 2. Systemsteuerung

Dieses System enthält einen OTP bzw. maskenprogrammierten Mikrocomputer (CIC1401) und den EPROM CIC1141 als NVM für die Programmdaten wie Frequenztafel, Senderkennung, HUB usw. Der Datenverkehr zwischen dem  $\mu P$  und IC2100, CIC1331 und dem SAT-Tuner findet über den I<sup>2</sup>C-Bus und CS<sub>OSD</sub> statt. Die Kommunikation mit dem Bedienteil erfolgt über die Leitungen "DATA", "CLK" und "ACK".

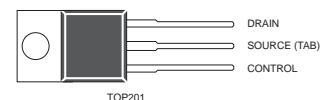
### 2.1 Pin-Belegung des Prozessors CIC1401

Pin 30:

Einschaltreset des Prozessors CIC1401 und IC86020 (Bedienteil), erzeugt von IC1402. Erst wenn alle Versorgungsspannungen des Empfängers aufgebaut sind, beginnt der Programmablauf.



Pin Belegung IC1725



Blockschaltbild IC1725

Pin 28, 29:

Der Systemtakt wird von einem Oszillator erzeugt dessen Frequenz durch Q1402 (4MHz) bestimmt wird. Ein Teil dieses Signals wird als Taktsignal dem IC2100-(35) über CC2025 und CR2025 zugeführt.

Pin 60:

Timerausgang, "High" bei programmierter Uhrenaufnahme, LED D86001 am Bedienteil leuchtet.

Pin 61:

Datenausgang für die Remote Cinchbuchse, z. B. zur Data Link-Übertragung.

Pin 62:

LED-Ausgang für die Standby-Anzeige auf der Bedienplatte.

Pin 63:

Die Schaltspannung  $U_{22kHz}$  legt die 22kHz-Frequenz, IC2100-(29) an IC1655-(1) und überlagert damit die Spannung "LNC-Power" zur Steuerung der LNCs. Dieses 22kHz-Ausgangssignal kann, je nach Wahl, auch mit einem DiSeqC-Protokoll impulsmoduliert sein.

Pin 64:

Schaltspannung  $U_{14/18V A}$  zur Wahl der Polarisationssebene horizontal oder vertikal von spannungsgesteuerten Polarotoren; "High" = horizontale Ebene.

Pin 1:

Schaltspannung  $U_{LNC OFF}$  zur Abschaltung der LNC-Versorgungsspannung.

Pin 2:

Schaltspannung  $U_{Standby}$  zur Abschaltung der sekundären Versorgungsspannungen.

Pin 13:

Dateneingang von der Remote Cinchbuchse, zur Fernsteuerung (z. B. Timerbetrieb) durch einen Videorecorder.

Pin 14:

Motorstromerkennung.

Pin 15:

Eingang für die Tuner-AGC und Anzeige.

Pin 19:

Abfrage, ob die Synchronsignal-Detektorschaltung IC1331 einen Sync. ausgibt. Bei zu kleinem oder schlechtem Signal schaltet der  $\mu P$  auf interne Synchronisation und der Bildschirmhintergrund wird blau.

Mit der Fernbedientaste "grün" können Sie den Bildschirmhintergrund in Zwangssynchronisation schalten.

Pin 21:

AV-Schaltspannungseingang zur Auswertung der Schaltspannung an Pin 8 der Decoder-Buchse. Bei High-Pegel "AV IN1" wird das Videosignal über den angeschlossenen Descrambler zum Receiver zurückgeführt.

Pin 22:

AV-Schaltspannungseingang zur Auswertung der Schaltspannung an Pin 8 der VCR-Buchse. Bei High-Pegel "AV IN 2" wird das VCR-Signal zum TV-Gerät durchgeschleift (Matrix).

Pin 23:

Standby-Schalter

Pin 24:

Regelspannung  $U_{AFC TV}$  zur Frequenznachregelung des TV-Tuners Kontakt 1.

Pin 47, 48:

System-Daten und -Clockleitung (I<sup>2</sup>C-Bus) zur Steuerung von Tuner, Video-Prozessor-IC2100, OSD-Prozessor-CIC1331, Speicher-CIC1141.

Pin 49:

AV 2-Schaltspannungserzeugung für Pin 8 der VCR-Buchse

Pin 50:

Ausgang für die Motorsteuerung.

Pin 51:

Ausgang für die Motorsteuerung.

Pin 52:

Rückmeldungs-Eingang vom Bedienprozessor IC86020.

Pin 53/54:

Datenbus zur Steuerung des Bedienprozessors IC86020

Pin 37:

Freigabesignal  $CS_{OSD}$  (Chip Select OSD) für den OSD-Controller IC1331.

Pin 38:

RGB/TV-Schaltspannung zur Umschaltung der Scartbuchsen (Matrix). Bei RGB/TV-Schaltspannung "High" schalten CT1270, CT1276 das FS-Gerät auf RGB-Betrieb.

Pin 39:

AV 3-Schaltspannungserzeugung für Pin 8 der TV-Buchse.

Pin 40/41:

Serielle Clock- und Datenleitung zur Steuerung des Uhren-CIC1120.

Pin 43:

Ausgang für den mechanischen Polarizer

Pin 44:

Umschaltung 0V/12V.

Pin 32:

Ausgang zur Steuerung eines magnetischen Polarisers am Ausgang des IC1300.

Pin 31:

Aktuatoreingang für die Motorimpulse.

## 2.2 Nichtflüchtiger Speicher

Der NVM CIC1140 ist ein serieller EEPROM, in dem alle werkseitig programmierten oder kundenspezifischen Daten zur Konfiguration des Empfängers gespeichert sind (Frequenztabelle, Hub, Polarisation usw.).

## 3. Tuner

Der CIC1401 steuert über den I<sup>2</sup>C-Bus alle Tunerfunktionen.

Vom LNC gelangen die ZF-Signale mit einem Frequenzbereich von 950MHz bis 2150MHz an die Antennen-Eingänge.

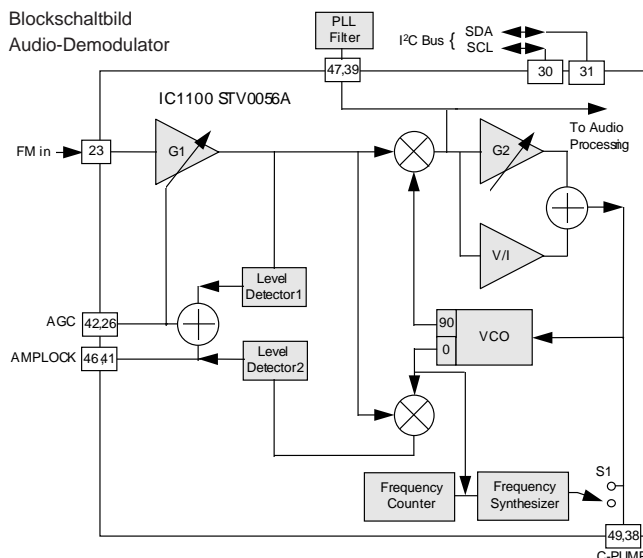
Die LNC-Eingänge sind wechsellastig mit einem regelbaren Verstärker gekoppelt. Die Verstärkung regelt die AGC automatisch, um den Pegel am Eingang des FM-Modulators konstant zu halten. Am Ausgang, Kontakt 4 des Tuners steht das Basisbandsignal zusammen mit dem 25Hz Dreiecksverwischungssignal.

Zur Verbesserung des Bildes kann für verrauschte Sendersignale über das Menü im Tuner eine "Threshold"-Schaltung aktiviert werden.

## 4. Audiosignalweg

Anmerkung zum Blockschaltbild Audio-Demodulator:

Zwei Zahlen an einem Pin stehen für zwei Schaltkreise des IC's, ein Schaltkreis für jeden Stereokanal. Die erste Zahl bezieht sich auf den rechten Kanal.



Der FM-Audio-Demodulator ist PLL-gesteuert.

Der Bandpaß CC2014, L2014, CC2016, L2016, L2019, CC2017, CR2017, L2017 befreit das FM-Signal des Basisbandes von unerwünschten Videosignalkomponenten.

Der Ansteuerpegel der zu demodulierenden Signale ist festgelegt, damit die Ausgangsamplitude vom Demodulator gleich bleibt. Daher durchläuft das Eingangssignal den Regelverstärker G1, dessen Verstärkung durch einen der beiden Pegeldetektoren eingestellt wird. Wird ein Signal erstmals gewählt, erfaßt der Detektor 1 die kombinierte FM-Signalamplitude und G1 stellt auf eine annähernd korrekte Verstärkung ein. Hat die PLL einmal die Verstärkung eingeregelt, überwacht der Pegeldetektor 2 den tatsächlichen Signalpegel innerhalb der PLL.

Wird ein neuer Tonträger gewählt, muß die PLL auf die neue Frequenz abgestimmt werden. Dazu wird S1 geschlossen und der spannungsgesteuerte Oszillator (VCO) wird mit dem Frequenz-Synthesizer eingeregelt. Ein Frequenzzähler mißt die VCO-Frequenz. Ist der VCO auf die Frequenz abgestimmt, öffnet S1 und der VCO rastet auf den eingespeisten Tonträger der gleichen Frequenz ein. Im Rückkopplungssignal des Regelkreises am Eingang von G2 ist die FM-Modulation enthalten. Die Verstärkung von G2 kann für verschiedene FM-Hübe nachgeregelt werden. Das PLL-Filter sorgt für die notwendige Stabilität des Regelkreises.

Sämtliche Funktionen im Demodulator werden über den I<sup>2</sup>C-Bus (SDA, SCL) von CIC1401 gesteuert.

### 4.1 Rauschunterdrückungssystem (Noise Reduction System NRS)

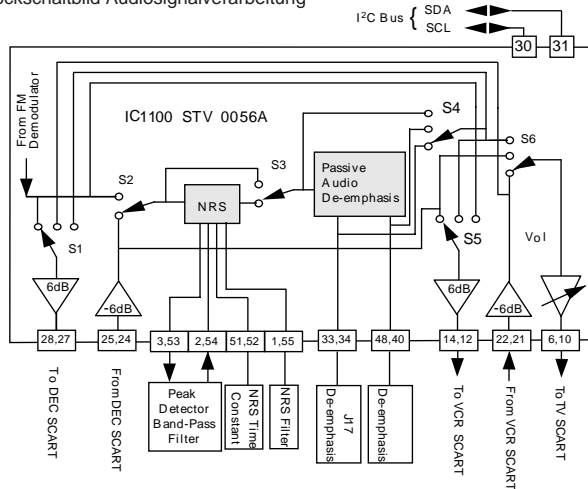
Das NRS (Rauschunterdrückungssystem) umfaßt einen Spitzenpegeldetektor und einen geregelten Tiefpaß. Das Audiosignal des jeweiligen

Kanals wird dem Spitzenpegeldetektor zugeführt, von einem externen Bandpaßfilter begrenzt und von den Transistoren CT2073, CT2078 gemittelt.

Die Ausgangsspannung des jeweiligen Spitzendetektors wird gespeichert in der NRS-Zeitkonstante. Diese ist ein Gleichspannungspegel, der sich mit der Amplitude des Audiokanal-Signals ändert und zur Regelung des Frequenzgangs des NRS-Filters über einen regelbaren kapazitiv behafteten Verstärker verwendet wird.

Schalter S3 schaltet das NRS-System ein.

Blockschaltbild Audiosignalverarbeitung



## 4.2 Passive Deemphasis

S4 wählt die passive Deemphasis für den jeweiligen Audiokanal aus. Mögliche Deemphasen sind J17 und 75µS, die mit externen Schaltkreisen eingestellt werden. Für die Deemphasis 50µS wird ein zusätzlicher interner Widerstand parallel zum 75µS-Schaltkreis geschaltet.

Bei dem PANDA-Verfahren arbeitet das NRS-System zusammen mit der 75µS-Deemphasis.

## 5. Video-Rauschfilter

Mit einem 10MHz-Tiefpassfilter, bestehend aus L2116, CC2113, CC2010, CC2009, wird das Basisband-Signal des Tuners von unerwünschten Rauschsignalen befreit und zur weiteren Verarbeitung dem Video-Prozessor IC2100-(20) zugeführt.

## 6. Videosignalverarbeitung

### 6.1 Video-Verstärkungsregelung im IC2100

Das Basisband-Video signal vom Tuner wird wechsellastmässig an einem Regelverstärker eingekoppelt, dessen Verstärkung entsprechend der gewünschten Videoamplitude geregelt werden kann.

### 6.2 Video-Inverter

Bei manchen Sendern ist es notwendig, die Polarität des Videosignals mit einem Schalter zu invertieren, z.B. für C-Band-Empfang. Nach dem Invert-Wahlschalter wird es als Basisband-Eingangssignal an die Videomatrix und PAL-Deemphasis geführt.

### 6.3 PAL-Deemphasis

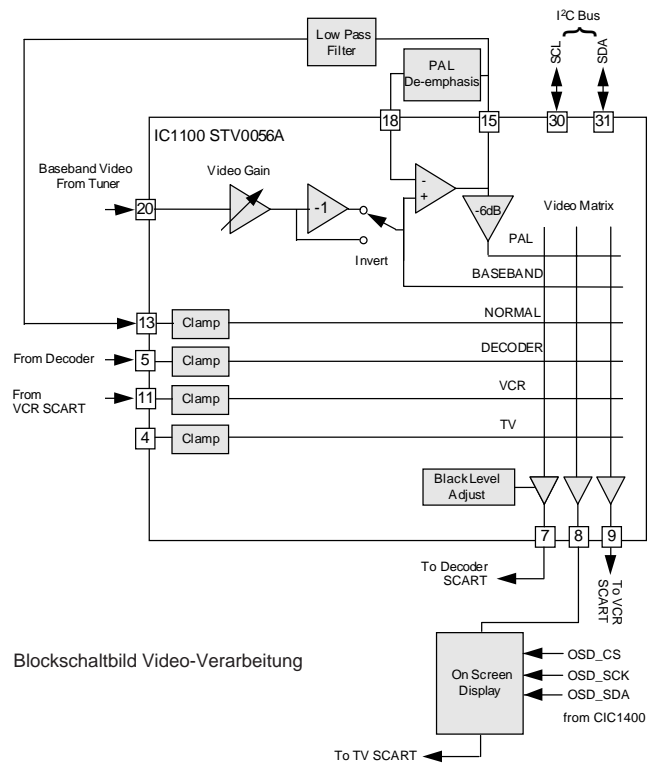
Das Basisband wird dem nicht-invertierenden Eingang eines Verstärkers mit einer in der Rückkopplungsschleife integrierten PAL-Deemphasis zugeleitet.

Nach der Entzerrung wird das PAL-Signal in ein Tiefpassfilter eingespeist, in dem Frequenzen über 5MHz herausgesiebt werden. Um das 25Hz-Dreiecksverwischungssignal abzutrennen wird es wechselstrommäßig an eine Klemmschaltung gekoppelt. Als resultierendes Signal entsteht das normale Videoeingangssignal für die Videomatrix.

### 6.4 Videomatrix IC2100

Die Videomatrix ist eine Kreuzschiene, die jede beliebige Videoquelle an jeden beliebigen der drei Ausgänge schalten kann. Außer den oben genannten SAT-Video signalen liegen auch die Videoeingangssignale von den Buchsen VCR und DEC an der Matrix, wobei jedes Signal auf den gleichen Pegel geklemmt wird, um Schaltstörungen zu vermeiden. Wie die Videomatrix steuert der I2C-Bus auch die Inverterstufe und die Videoverstärkung. Das Ausgangssignal der Matrix wird an die TV, VCR- und DEC-Buchse geleitet.

Über Kontakt 10 der SCART-Buchsen wird die Megalogic-Steuerung erreicht (passiver Durchgang).



Blockschaltbild Video-Verarbeitung

### 6.4.1 TV-Buchse

"High"-Pegel der Schaltungsspannung  $U_{AV OUT 3}$  CIC1401-(39) schaltet über CT1254, CT1250 die 12V Schaltungsspannung an die TV Scart-Buchse - Kontakt 8 und damit den FS-Empfänger in den AV-Mode.

Das OSD-Signal gelangt vom Ausgang des IC1331-(16) über CT1260 an die TV-Buchse, Kontakt 19.

### 6.4.2 VCR-Buchse

Zur Aufnahme steht das Audio- und Videosignal an der VCR-Buchse Kontakt 1/6 bzw. 19.

Bei VCR-Wiedergabe legt der IC2100 das Audio-Video signal an die TV-Buchse über die Schaltungsspannung der VCR-Buchse - Kontakt 8,  $U_{AV IN 2}$ , CIC1401-(22).

### 6.4.3 Decoder-Buchse

Bei Decoder-Betrieb legt die Schaltungsspannung der DEC-Buchse - Kontakt 8,  $U_{AV IN 1}$ , CIC1401-(21) das entschlüsselte Audio-Video signal an die TV- und VCR-Buchse.

Bei RGB-Betrieb schaltet die RGB-Schaltungsspannung der DEC-Buchse - Kontakt 16 über CT1276 die RGB-Schaltungsspannung an die TV-Buchse. Das FS-Gerät schaltet auf RGB-Betrieb.

Liegt zur gleichen Zeit an der VCR-Buchse, Kontakt 8, eine Schaltungsspannung an, wird über CIC1401-(38) die Schaltungsspannung  $U_{RGB TV}$  ausgegeben und durch CT1270 das RGB-Signal an der TV-Buchse abgeschaltet. VCR-Vorrangbetrieb: Das VCR-Signal wird nur über die Matrix IC2100 an die TV-Buchse Kontakt 19 geschaltet.

### 6.4.4 Signal-Umschaltung Modulator

Je nach eingeschalteter Betriebsart liegt das Video signal über CT1406 am Modulator, Kontakt 3.

Die Audiosignale  $AR_{TV OUT}$ , bzw.  $AL_{TV OUT}$  liegen über die Transistoren CT1405 bzw. 1400 und den Operationsverstärker CIC1330 an Kontakt 1 des Modulators bzw. an der Buchse 1 und Buchse 2.

## 7. OSD-Einblendung und Synchronisation

Das Video signal  $V_{VID OUT}$  wird über CT1365 als Speisesignal für die OSD-Einblendstufe IC1331 verwendet. Sie fügt Menüs und Statusinformationen in das am Bildschirm gezeigte Video signal ein. Die Synchronböden des Video signals  $V_{VID OUT}$  werden mit CT1350 auf einen festgelegten Pegel geklemmt.

Bei normgerechtem Synchronsignal steht an IC1331-(29) "High"-Pegel. Ab einem Pegel  $> 4V$  erkennt CIC1401-(19) über die Leitung " $U_{EXOSYNC}$ ", daß ein gültiges Synchronsignal anliegt und zeigt das Einblendfeld an. Ist kein gültiges Synchronsignal vorhanden, erzeugt der OSD-Prozessor IC1331 ein internes Synchronsignal, der Bildschirmhintergrund wird blau und somit ist eine Bildschirm einblendung möglich. Pegel an CIC1401-(19)  $< 3,2V$ .

Die OSD-Steuerung erfolgt über die Leitungen SDA, SCL und  $CS_{OSD}$ .

## GB Circuit Description

### 1. Power Supply

#### 1.1 General

The TOPSwitch family of the switched-mode power supply units distinguishes itself by a minimum number of peripheral components connected to the PowerMOSFET-IC1600 and a fixed switching frequency of 100kHz. Control and error signal identification is exclusively effected with a pulse width modulator (PWM).

#### IC1600 pin configuration

Drain Pin:

Drain output of the internal MOSFET transistor T1. Supplies the internal current during the start-up phase via an integrated high-voltage switch and is the current sense point via  $Z_C$ .

Control Pin:

Error signal identification and control input for the internal shunt regulator during normal operation. It is also the operating voltage input, the trigger input for the protection and auto-restart stages.

Source Pin:

Source output of the internal MOSFET transistor T1. Primary-side chassis return for the power supply unit and reference point.

#### 1.2 Function

The supply voltage for the Drain of IC1600 is delivered by the rectifier D1600 via winding 11, 7 of the converter transformer TR1600. The electrolytic capacitor C1612 charges to about 320V from a 230V mains supply. On application of the operating voltage the internal oscillator starts to oscillate. During the conducting phase of the IC, energy is stored in the transformer which is fed to the secondary winding during the cut-off phase. To hold the secondary voltages at a constant level, the Control input of IC1600 (typ. 5.7V) is controlled by means of a reference voltage via the optocoupler OK1601.

#### 1.3 Control

An increasing load in the transformer causes all voltages to decrease and with them also the voltage at the control amplifier TL431-(3) via the voltage divider CR3050, CR3052. Consequently, less current will flow through the cathode of TL431 so that the LED in optocoupler OK1601 becomes darker. The transistor between pin 4 and pin 5 becomes high resistance. In proportion to the sawtooth voltage on pin 5 the voltage decreases and consequently the conducting phase of the high-voltage transistor T1 in IC1601 becomes longer. The voltage will increase. With a short circuit in the secondary side, the current flowing through the MOSFET rises and the built-in protection circuit triggers the power supply unit at a cycle of 1-2 seconds. When the load is removed, the power supply is started automatically by the Auto-Restart stage in the IC. Diodes D1633, D1632 are provided to limit the voltage peaks of overshoots at the Drain output of IC1600.

#### 1.4 Secondary Voltages

- +33V: tuning voltage for SAT Tuner and modulator via diode D1641.
- +19V: LNC supply voltage via diode D1661.
- +12V: supply voltage for signal processing, via diode D1691.
- 12V: supply voltage via diode D1651 for setting the SKEW IC1300.
- +5V: supply voltage via diode D1681 for generating the +5V OSD, for the modulator, motor control, the tuner and the SKEW setting stage.
- +5V/OSD: supply voltage for the OSD processor CIC1331 generated from the +5V supply provided on CIC1331-(17).
- +5VExt: external supply via diode D1672 from the connecting block of the STR 600 AP.
- +5V/D: supply voltage from the supplementary power supply IC1601, TR3030, D3033 and IC3033 for  $\mu$ P CIC1401 and the keyboard control unit.

#### 1.5 LNC Switching Voltage 14/18V

The switching command  $U_{14/18V}$  is used to switch over the LNC polarity via transistor CT1675 and the linear control IC1655. The adjusting control R1663 allows to increase the LNC higher voltage on request.

#### 1.6 LNC Voltage Switch-off

For switching off the LNC supply, the switching voltage  $U_{LNCOFF}$  connects IC1655-(1) via CT1709 to ground.

#### 1.7 Stand-by Mode

For changing to the Stand-by mode the switching command  $U_{Standby}$  is used to connect the Control input of IC1600 via OK1600 and CT1610 to ground. Consequently, the supply voltages of the secondary side are switched off.

Power consumption of the satellite receiver in Stand-by mode < 2W.

#### 1.8 The 22kHz Switching Frequency

The switching voltage  $U_{22kHz}$  applies the 22kHz switching frequency, IC2100-(29), via CT1650, CT1710 to the linear control IC1650-(1). As a result, the LNB voltage is superimposed with a 22kHz signal at about 600mVpp. This 22kHz output signal can optionally also be pulse-modulated with a Simple DiSEqC Protocol.

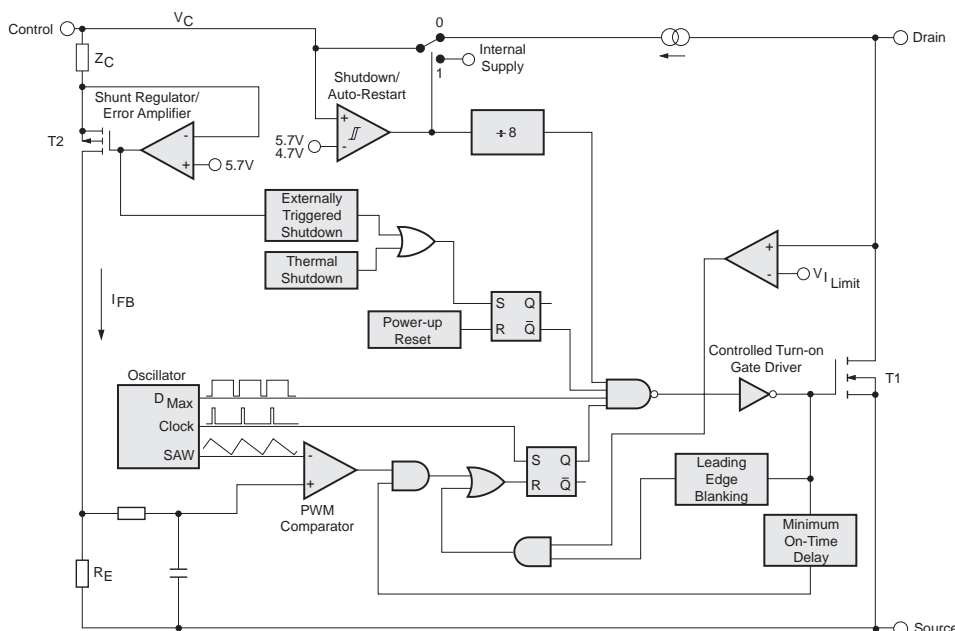
## 2. System Control

This system contains an OTP or a mask-programmed microcomputer (CIC1401) and the NVM-type EPROM CIC1141 for the programme data like channel table, station ident, deviation, and so on. The exchange of data between the  $\mu$ P and IC2100, CIC1331 and the SAT Tuner is carried out on the I<sup>2</sup>C-bus and CS<sub>OSD</sub>. Communication with the control unit is effected via the leads "DATA", "CLK" and "ACK".

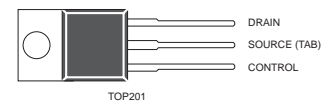
#### 2.1 Pin Configuration of Processor CIC1401

Pin 30:

Power-on reset for the processor CIC1401 and IC86020 (keyboard control unit), generated by IC1402. The programme sequence will not start before all supplies of the receiver have built up.



Pin Configuration IC1725



Block Diagram IC1725



Pin 28, 29:

The system clock is generated by an oscillator whose frequency is determined by Q1402 (4MHz). A proportion of this signal is fed through CC2025 and CR2025 and is used to provide clock for IC2100-(35).

Pin 60:

Timer output, "High" when a timer recording is programmed, LED D86001 on the keyboard control unit illuminates.

Pin 61:

Data output to the Remote Cinch socket, e. g. for data link transfer.

Pin 62:

LED output to Standby indicator on the keyboard control unit.

Pin 63:

Switching voltage  $U_{22\text{kHz}}$  switches the 22kHz frequency, IC2100-(29) to IC1655-(1) thus superimposing the "LNC Power" supply for driving the LNC's. This 22kHz output signal can optionally also be pulse-modulated with a DiSEQC Protocol.

Pin 64:

Switching voltage  $U_{14/18V_A}$  to select the polarity, horizontal or vertical, of voltage-controlled polarotors; "High" = horizontal.

Pin1:

Switching voltage  $U_{\text{LNC OFF}}$  to switch off the LNC supply.

Pin 2:

Switching voltage  $U_{\text{Standby}}$  to switch off the secondary supplies.

Pin 13:

Data input from the Remote Cinch socket for remote control (e. g. Timer operation) by a video recorder.

Pin 14:

Motor current detection.

Pin 15:

Control input for the Tuner-AGC and Display.

Pin 19:

Scans whether there is a sync signal fed out from the sync signal detector circuit IC1331. If the signal is too low or poor the  $\mu\text{P}$  switches to the internal synchronising signal and the screen background becomes blue.

With the "green" key on the remote control handset it is possible to force the background into synchronisation.

Pin 21:

AV switching voltage input for evaluation of the switching voltage on pin 8 of the decoder socket. If "AV IN1" is at high level the video signal is fed back to the receiver via the connected descrambler.

Pin 22:

AV switching voltage input for evaluation of the switching voltage on pin 8 of the VCR socket. At high level "AV IN 2" the VCR signal is looped through to the TV receiver (matrix).

Pin 23:

Stand-by switch

Pin 24:

Control voltage  $U_{\text{AFC TV}}$  for TV Tuner frequency control, contact 1.

Pins 47, 48:

System data and clock lead (I<sup>2</sup>C-bus) to control the Tuner, Video Processor IC2100, OSD Processor CIC1331, Memory-CIC1141.

Pin 49:

AV 2 switching voltage generation for pin 8 of the VCR socket

Pin 50:

Output for driving the motor.

Pin 51:

Output for driving the motor.

Pin 52:

Acknowledgement signal input from keyboard control processor IC86020.

Pin 53/54:

Data bus for controlling the keyboard control processor IC86020.

Pin 37:

Enable signal  $CS_{\text{OSD}}$  (Chip Select OSD) for the OSD Controller IC1331.

Pin 38:

RGB/TV switching voltage for changing over the Scart sockets (matrix). When the RGB/TV switching voltage is at "High", CT1270, CT1276 switch the TV receiver to RGB mode.

Pin 39:

AV 3 switching voltage generation to pin 8 of the TV-socket.

Pin 40/41:

Serial clock and data lead to drive clock CIC1120

Pin 43:

Output to mechanical polarizer

Pin 44:

0/12V switching.

Pin 32:

Output for driving a magnetic polarizer at the output of IC1300.

Pin 31:

Actuator input for the motor pulses.

## 2.2 Non Volatile Memory

NVM CIC1140 is a serial EEPROM and contains all factory and user programmable data to configure the receiver (channel table, deviation, polarity etc.).

## 3. Tuner

All functions within the tuner are controlled from CIC1401 via I<sup>2</sup>C-bus. The IF signals from the LNC, in the range 950MHz to 2150MHz, are supplied to the aerial inputs.

The LNC inputs are AC-coupled into a variable amplifier whose gain is adjusted automatically by the AGC to ensure a constant level at the input to the FM Demodulator. At the output contact 4 of the tuner the baseband signal is available together with the 25Hz energy dispersal waveform signal.

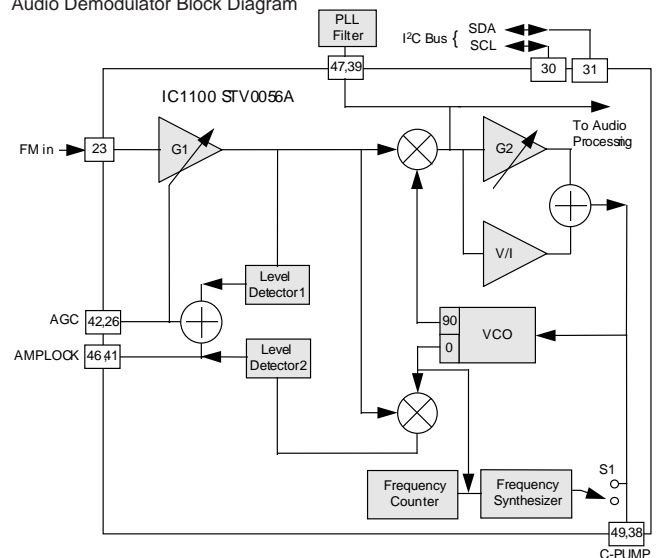
To improve the picture quality resulting from a noisy transmitter signal a "threshold" circuit can be activated in the tuner via the menu.

## 4. Audio Path

*Note to the Audio Demodulator Block Diagram:*

Where two pin numbers are given two circuits exist, one for each stereo channel. The first number is for the Right channel.

Audio Demodulator Block Diagram



The FM audio demodulator is of the Phase Locked Loop (PLL) type.

FM signals in the tuner Baseband Video signal are filtered by the bandpass CC2014, L2014, CC2016, L2016, L2019, CC2017, CR2017, L2017 which removes unwanted Video components from FM in.

It is important that the drive level of the signals being demodulated is fixed so that the output amplitude from the demodulator can be predicted. To help achieve this the input signal passes through a gain controlled amplifier G1, whose gain is set by one of two level detectors. When a signal is first selected Level Detector 1, which senses the combined FM signal amplitude, is used to set G1 to an approximately correct gain. Once PLL lock has been reached Level Detector 2 is used which accurately monitors the actual signal level within the working PLL.

When a new audio carrier is being selected the PLL must be tuned to the new frequency. To do this S1 is closed and the Voltage Controlled Oscillator (VCO) is adjusted by means of the Frequency Synthesiser. The VCO frequency is read by the Frequency Counter. Once the VCO is on frequency S1 is opened and the VCO locks onto the incoming carrier of the same frequency. The control loop feedback signal at the input of G2 carries the FM modulation. The gain of G2 can be controlled to handle different FM deviations. Loop stability is maintained by the PLL filter.

Control of all functions in the Demodulator is via the I<sup>2</sup>C-bus (SDA, SCL) from IC1401.

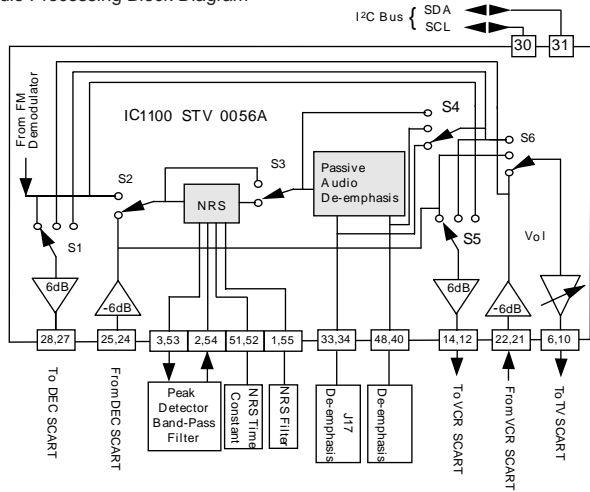
### 4.1 Noise Reduction System (NRS)

The NRS consists of a peak level detector and a controlled low pass filter. Audio for each channel to its peak detector is band limited by an external bandpass filter, and centred on the transistors CT2073, CT2078.

The output of each peak detector is a voltage stored in its NRS time constant. This is a DC level which will vary with the amplitude of the audio channel signal and is used to control the frequency response of its NRS filter via a variable transconductance amplifier.

Switch S3 is used to select the NRS system.

Audio Processing Block Diagram



#### 4.2 Passive Deemphasis

S4 is used to select the type of passive deemphasis that is applied to each audio channel. The options are set by external networks and are J17, and 75 $\mu$ S. 50 $\mu$ S is obtained by adding an internal resistor in parallel with the 75 $\mu$ S network.

For PANDA operation NRS and 75 $\mu$ S are used together.

## 5. Video Noise Filter

The baseband signal from the tuner is passed through a 10MHz low-pass filter consisting of L2116, CC2113, CC2010 and CC2009, to remove unwanted noise before it is taken to the Video Processor IC2100-(20) for further processing.

## 6. Video Processing

### 6.1 Video Gain Control in IC2100

Baseband Video from the Tuner section is AC-coupled into a controlled amplifier whose gain can be set to give the desired Video amplitude.

### 6.2 Video Inverter

The polarity of the video signal can be set by the invert switch so that, for instance, C-band reception can be achieved.

After the invert selector switch this signal forms the BASEBAND input to the Video Matrix and PAL Deemphasis.

### 6.3 PAL Deemphasis

The baseband signal is applied to the non-inverting input of an amplifier which has a PAL Deemphasis network in its feedback loop.

After the deemphasis the PAL signal is band limited by the 5MHz low-pass filter. In the following, the signal is AC-coupled into the clamp to remove the 25Hz energy dispersal waveform. The resulting signal is the NORMAL video input to the Video Matrix.

### 6.4 Video Matrix IC2100

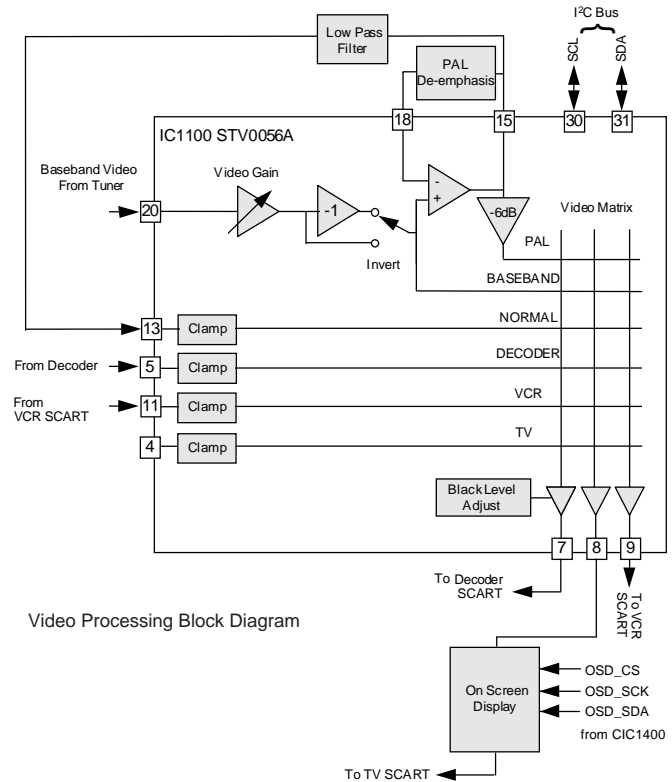
This is a cross wire matrix of switches which can select any one of the Video sources and make it available to each of the three outputs. In addition to the SAT-video signals described above video is also fed to the matrix from the VCR and DEC sockets, each signal being clamped to the same level to avoid switching disturbances. All Video Matrix, Invert and Video Gain are controlled via I<sup>2</sup>C-bus. The output signal from the matrix is sent to the TV, VCR and DEC socket.

Megalogic control is possible via contact 10 of the SCART sockets (passive connection).

#### 6.4.1 TV Socket

By a "High" level switching voltage  $U_{AV OUT 3}$  CIC1401-(39), the 12V switching voltage is fed through CT1254, CT1250 to the TV Scart socket, contact 8, and consequently the TV receiver is switched to the AV mode.

The OSD signal is taken from the output IC1331-(16) via CT1260 to the TV socket (contact 19).



Video Processing Block Diagram

### 6.4.2 VCR Socket

The audio and video signals to be recorded are provided on contact 1/6 and 19 respectively of the VCR socket.

On VCR playback the IC2100 applies the audio/video signal to the TV socket via the switching voltage from the VCR socket - contact 8,  $U_{AV IN 2}$  CIC1401-(22).

### 6.4.3 Decoder Socket

On Decoder operation, the switching voltage from the DEC socket - contact 8,  $U_{AV IN 1}$  CIC1401-(21) - feeds the descrambled audio/video signal to the TV and VCR socket.

On RGB operation, the RGB switching voltage from the DEC socket - contact 16 connects the RGB signal via CT1276 to the TV socket. The TV receiver changes to RGB mode.

If a switching voltage is simultaneously applied to contact 8 of the VCR socket, the switching voltage  $U_{RGB TV}$  is fed out from CIC1401-(38) and the RGB switching voltage at the TV socket is switched off by CT1270. VCR priority operation: the VCR-signal is only fed through the Video Matrix IC2100 to contact 19 of the TV socket.

### 6.4.4 Signal Switch-over to Modulator

Dependent on the selected operating mode the video signal is fed to the modulator, contact 3, via the transistor CT1406.

The audio signals  $AR_{TV OUT}$  and  $AL_{TV OUT}$  respectively are fed through the transistors CT1405 or CT1400 and the operational amplifier CIC1330 to modulator contact 1 or to socket 1 and socket 2.

## 7. OSD Insertion and Synchronisation

The video signal " $V_{VID OUT}$ " via CT1365 is used as the feed for the On Screen Display (OSD) insertion circuit IC1331 which adds menus and status information to the video signal to be displayed on the TV. The sync tips of the video signal " $V_{VID OUT}$ " are clamped at a predetermined level by CT1350.

The presence of a standard sync is signalled by a "High" level at IC1331-(29). From a level of >4V, CIC1401-(19) recognizes via the " $U_{EXO SYNC}$ " lead that a valid sync signal is present and indicates the display field.

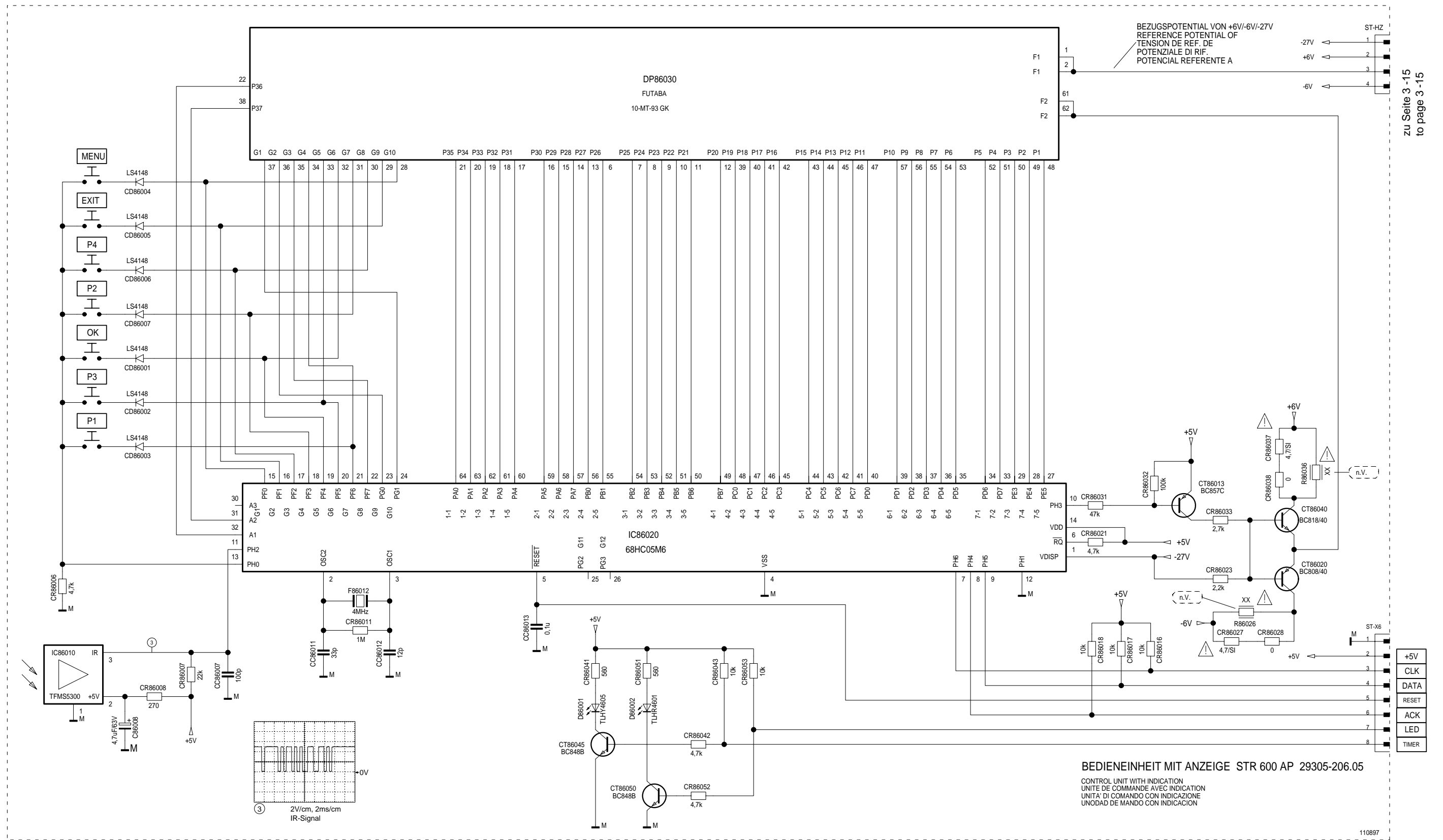
In the absence of a valid sync signal, the OSD processor IC1331 is instructed to generate its own sync signal so that the screen background becomes blue and the OSD can still be used. Level at CIC1401-(19) is < 3.2V.

All control of the OSD is effected via the SDA, SCL and  $CS_{OSD}$  leads.



# Platinenabbildungen und Schaltpläne / Layout of the PCBs and Circuit Diagrams

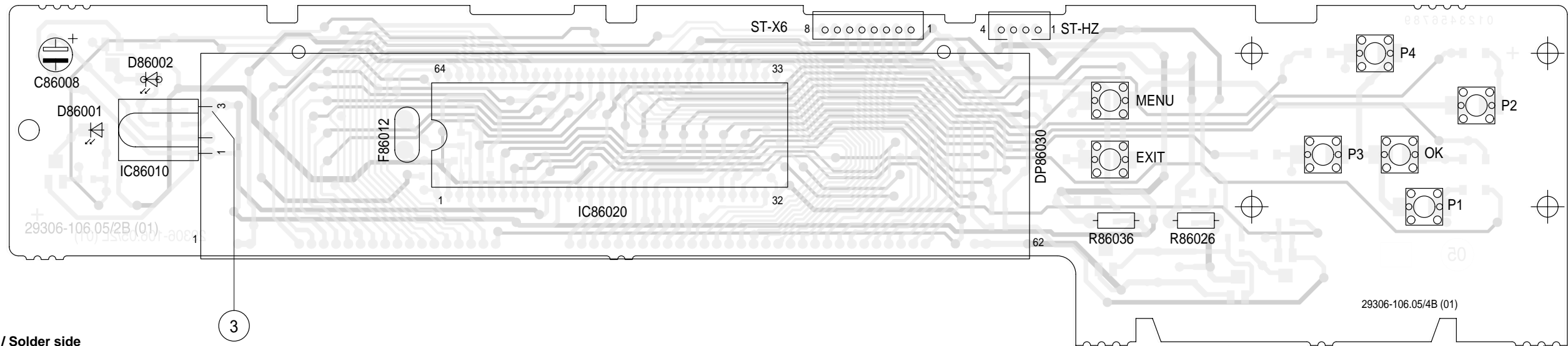
## Bedieneinheit mit Anzeige / Control Unit with Indication 29305-206.05



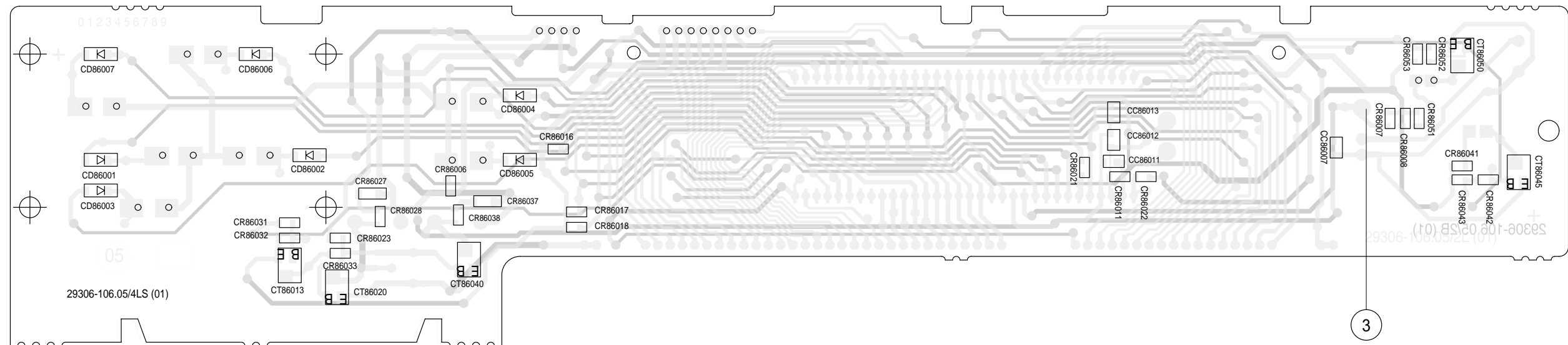
zu Seite 3-15  
to page 3-15

### Bedieneinheit PCB / Control Unit PCB Board

Bestückungsseite / Components side

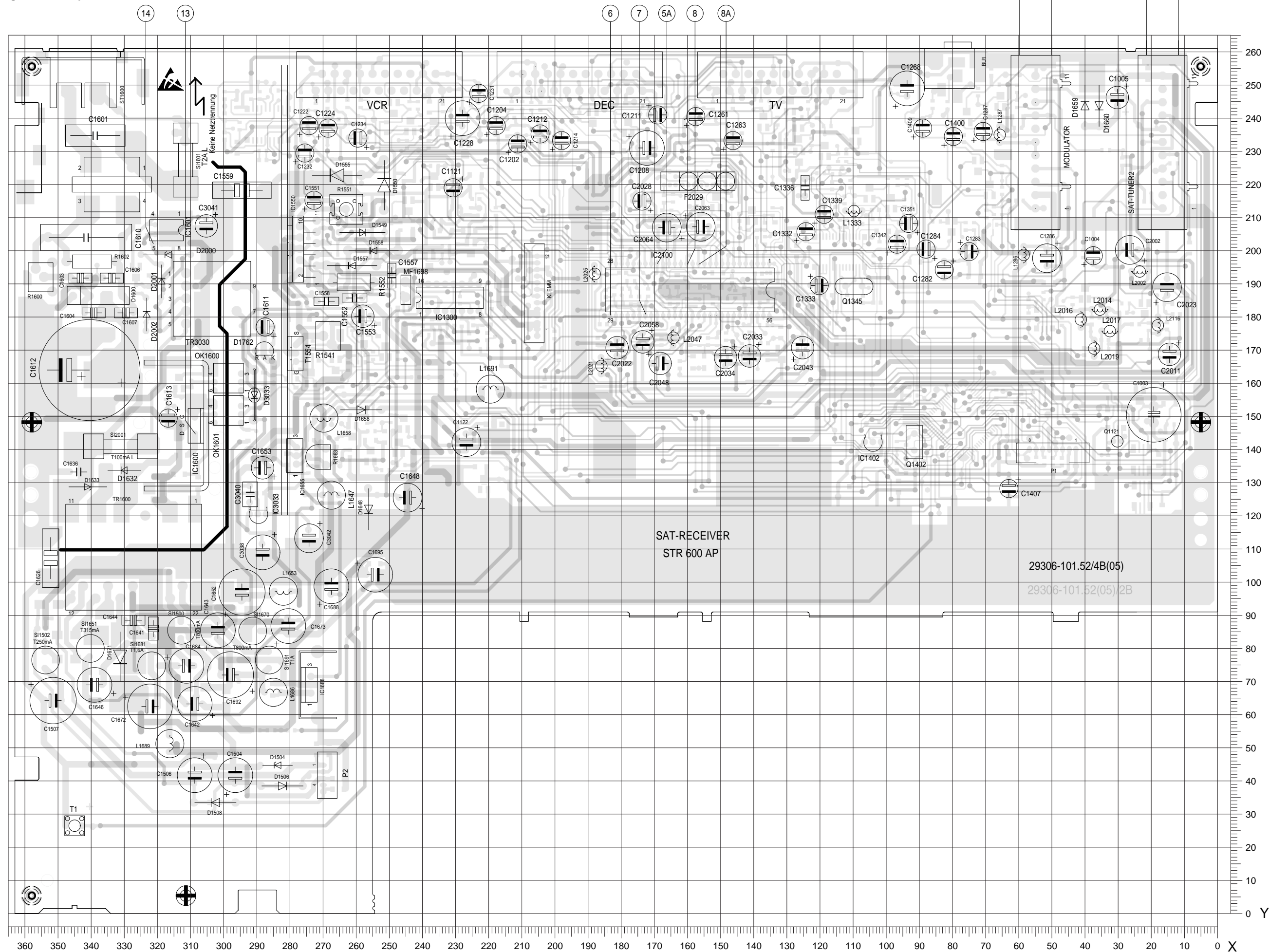


Lötseite / Solder side



### Chassisplatte / Chassis Board

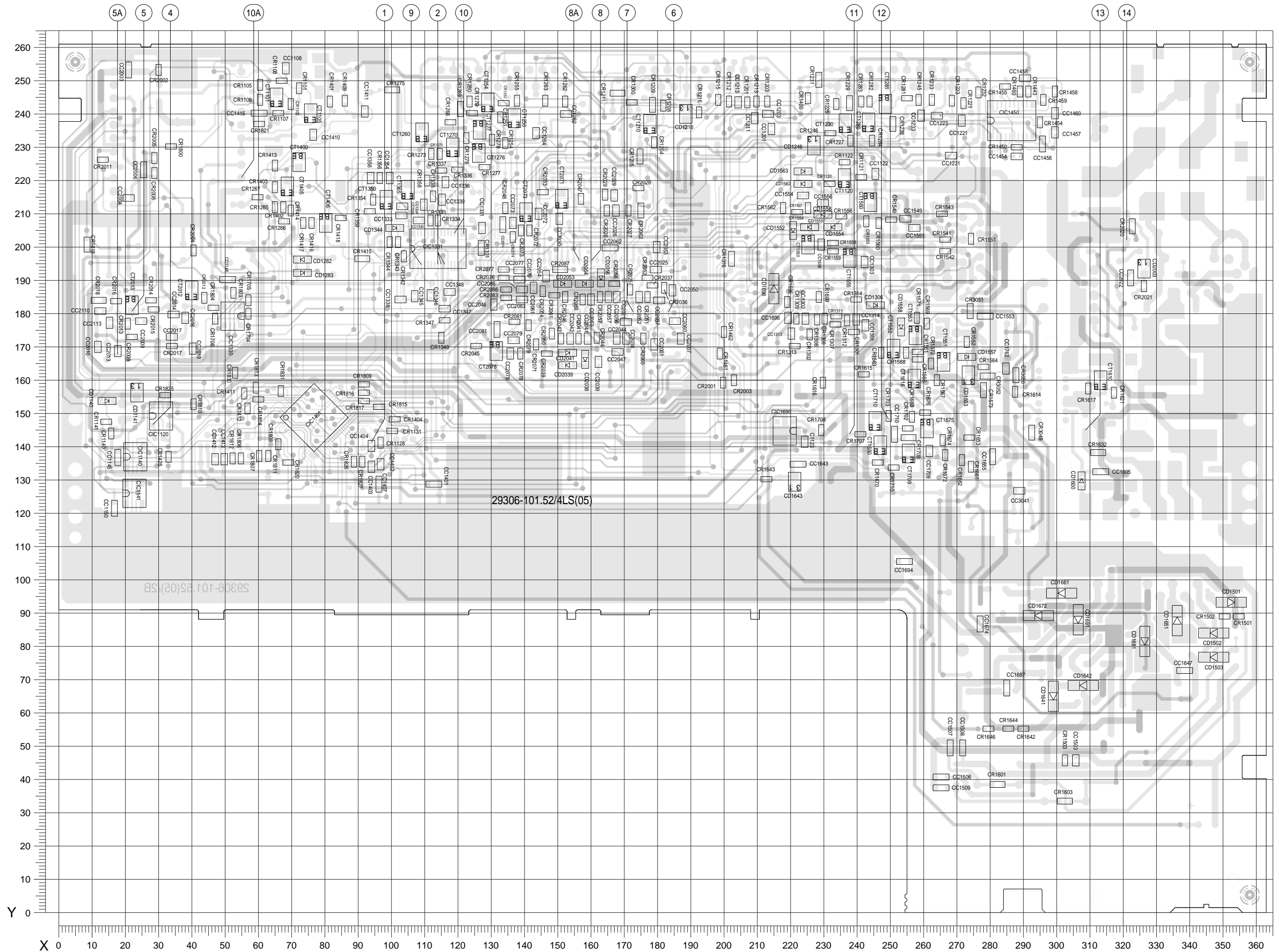
Bestückungsseite / Components side





### Chassisplatte / Chassis Board

Lötseite / Solder side



## Bestückungskoodinaten der Bauteile

- Die Koordinaten X und Y sind sowohl als metrische Koordinaten für die Originalplatine in Millimeter, als auch als absolute Koordinaten für die vergrößerten Abbildungen der Platinen verwendbar.

## Chassisplatte

## Koordinaten für die Bauteile der Bestückungsseite (Oberseite)

| Pos.-Nr./<br>Pos. No. | Koordinaten/<br>Coordinates<br>X | Y   | Pos.-Nr./<br>Pos. No. | Koordinaten/<br>Coordinates<br>X | Y   | Pos.-Nr./<br>Pos. No. | Koordinaten/<br>Coordinates<br>X | Y   | Pos.-Nr./<br>Pos. No. | Koordinaten/<br>Coordinates<br>X | Y |
|-----------------------|----------------------------------|-----|-----------------------|----------------------------------|-----|-----------------------|----------------------------------|-----|-----------------------|----------------------------------|---|
| BU01                  | 76                               | 243 | C1553                 | 258                              | 180 | C2064                 | 166                              | 207 |                       |                                  |   |
| C1003                 | 19                               | 151 | C1557                 | 249                              | 192 | C3038                 | 288                              | 109 |                       |                                  |   |
| C1004                 | 38                               | 199 | C1558                 | 269                              | 185 | C3040                 | 292                              | 126 |                       |                                  |   |
| C1005                 | 30                               | 246 | C1559                 | 294                              | 218 | C3041                 | 305                              | 208 |                       |                                  |   |
| C1121                 | 230                              | 219 | C1601                 | 339                              | 235 | C3042                 | 274                              | 114 |                       |                                  |   |
| C1122                 | 227                              | 143 | C1603                 | 343                              | 192 | D1504                 | 284                              | 45  |                       |                                  |   |
| C1202                 | 212                              | 232 | C1604                 | 339                              | 181 | D1506                 | 282                              | 38  |                       |                                  |   |
| C1204                 | 218                              | 238 | C1606                 | 334                              | 192 | D1508                 | 303                              | 33  |                       |                                  |   |
| C1208                 | 173                              | 231 | C1607                 | 329                              | 181 | D1549                 | 258                              | 206 |                       |                                  |   |
| C1211                 | 169                              | 241 | C1610                 | 342                              | 204 | D1550                 | 251                              | 220 |                       |                                  |   |
| C1212                 | 205                              | 235 | C1611                 | 288                              | 177 | D1555                 | 266                              | 223 |                       |                                  |   |
| C1214                 | 198                              | 233 | C1612                 | 340                              | 164 | D1557                 | 261                              | 195 |                       |                                  |   |
| C1222                 | 275                              | 238 | C1613                 | 316                              | 150 | D1558                 | 255                              | 200 |                       |                                  |   |
| C1224                 | 269                              | 237 | C1626                 | 352                              | 107 | D1600                 | 338                              | 186 |                       |                                  |   |
| C1228                 | 228                              | 240 | C1636                 | 344                              | 133 | D1632                 | 330                              | 134 |                       |                                  |   |
| C1231                 | 223                              | 247 | C1641                 | 321                              | 86  | D1633                 | 341                              | 129 |                       |                                  |   |
| C1232                 | 276                              | 229 | C1642                 | 308                              | 63  | D1648                 | 256                              | 122 |                       |                                  |   |
| C1234                 | 260                              | 234 | C1643                 | 302                              | 85  | D1658                 | 258                              | 152 |                       |                                  |   |
| C1261                 | 158                              | 240 | C1644                 | 327                              | 89  | D1659                 | 40                               | 244 |                       |                                  |   |
| C1263                 | 147                              | 233 | C1646                 | 338                              | 69  | D1660                 | 36                               | 244 |                       |                                  |   |
| C1268                 | 94                               | 249 | C1648                 | 244                              | 125 | D1671                 | 331                              | 78  |                       |                                  |   |
| C1282                 | 82                               | 194 | C1652                 | 294                              | 97  | D1762                 | 288                              | 171 |                       |                                  |   |
| C1283                 | 75                               | 200 | C1653                 | 288                              | 134 | D2000                 | 317                              | 199 |                       |                                  |   |
| C1284                 | 88                               | 200 | C1672                 | 323                              | 63  | D2001                 | 319                              | 191 |                       |                                  |   |
| C1286                 | 52                               | 198 | C1673                 | 281                              | 86  | D2002                 | 323                              | 181 |                       |                                  |   |
| C1287                 | 71                               | 236 | C1684                 | 312                              | 75  | D3033                 | 291                              | 157 |                       |                                  |   |
| C1332                 | 125                              | 206 | C1688                 | 267                              | 98  | DEC                   | 192                              | 255 |                       |                                  |   |
| C1333                 | 120                              | 190 | C1692                 | 298                              | 72  |                       |                                  |     |                       |                                  |   |
| C1336                 | 125                              | 219 | C1695                 | 255                              | 102 |                       |                                  |     |                       |                                  |   |
| C1339                 | 119                              | 211 | C2002                 | 26                               | 200 | F2029                 | 157                              | 221 |                       |                                  |   |
| C1342                 | 97                               | 202 | C2011                 | 14                               | 169 | IC1300                | 232                              | 186 |                       |                                  |   |
| C1351                 | 93                               | 208 | C2022                 | 181                              | 171 | IC1402                | 104                              | 141 |                       |                                  |   |
| C1400                 | 80                               | 235 | C2023                 | 15                               | 189 | IC1550                | 276                              | 201 |                       |                                  |   |
| C1407                 | 63                               | 128 | C2028                 | 174                              | 215 | IC1600                | 309                              | 147 |                       |                                  |   |
| C1409                 | 89                               | 237 | C2033                 | 141                              | 168 | IC1601                | 317                              | 206 |                       |                                  |   |
| C1504                 | 297                              | 41  | C2034                 | 148                              | 168 | IC1655                | 279                              | 138 |                       |                                  |   |
| C1506                 | 309                              | 42  | C2043                 | 125                              | 171 | IC1688                | 274                              | 69  |                       |                                  |   |
| C1507                 | 352                              | 64  | C2048                 | 168                              | 166 | IC2100                | 159                              | 188 |                       |                                  |   |
| C1551                 | 273                              | 215 | C2058                 | 173                              | 173 | IC3033                | 290                              | 120 |                       |                                  |   |
| C1552                 | 260                              | 186 | C2063                 | 156                              | 207 |                       |                                  |     |                       |                                  |   |

## Assembly coordinates of the components

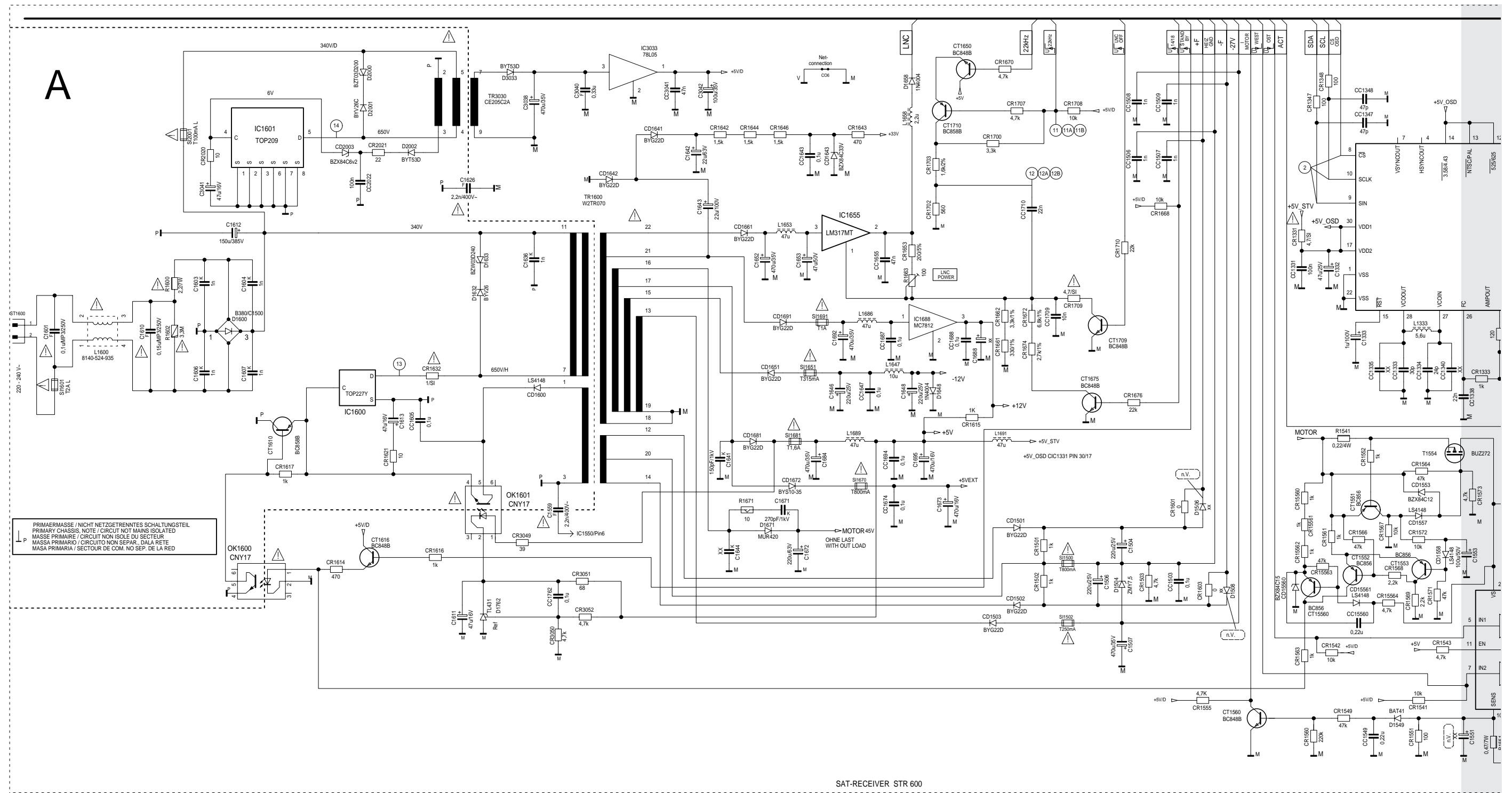
- The X and Y coordinates can be used as both metric coordinates in mm for the original circuit board and absolute coordinates for the enlarged diagrams of the circuit boards.

## Chassis Board

## Coordinates of the components on the components side (top side)

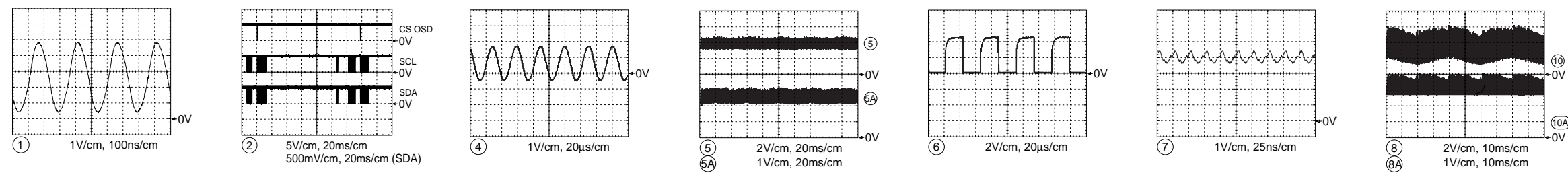
| Pos.-Nr./<br>Pos. No. | Koordinaten/<br>Coordinates<br>X | Y   | Pos.-Nr./<br>Pos. No. | Koordinaten/<br>Coordinates<br>X | Y   | Pos.-Nr./<br>Pos. No. | Koordinaten/<br>Coordinates<br>X | Y | Pos.-Nr./<br>Pos. No. | Koordinaten/<br>Coordinates<br>X | Y |
|-----------------------|----------------------------------|-----|-----------------------|----------------------------------|-----|-----------------------|----------------------------------|---|-----------------------|----------------------------------|---|
| KLEMM                 | 206                              | 187 | SAT-TUNER 02          | 15                               | 242 |                       |                                  |   |                       |                                  |   |
| L1286                 | 58                               | 199 | SI1500                | 313                              | 86  |                       |                                  |   |                       |                                  |   |
| L1287                 | 66                               | 235 | SI1502                | 354                              | 77  |                       |                                  |   |                       |                                  |   |
| L1333                 | 110                              | 212 | SI1601                | 312                              | 227 |                       |                                  |   |                       |                                  |   |
| L1600                 | 334                              | 220 | SI1651                | 340                              | 80  |                       |                                  |   |                       |                                  |   |
| L1647                 | 267                              | 126 | SI1670                | 291                              | 85  |                       |                                  |   |                       |                                  |   |
| L1653                 | 282                              | 97  | SI1681                | 322                              | 75  |                       |                                  |   |                       |                                  |   |
| L1658                 | 270                              | 150 | SI1691                | 286                              | 77  |                       |                                  |   |                       |                                  |   |
| L1686                 | 285                              | 67  | SI2001                | 331                              | 141 |                       |                                  |   |                       |                                  |   |
| L1689                 | 316                              | 51  |                       |                                  |     |                       |                                  |   |                       |                                  |   |
| L1691                 | 219                              | 158 | ST1600                | 342                              | 252 |                       |                                  |   |                       |                                  |   |
| L2002                 | 23                               | 194 | T01                   | 345                              | 27  |                       |                                  |   |                       |                                  |   |
| L2014                 | 35                               | 182 | T1554                 | 278                              | 169 |                       |                                  |   |                       |                                  |   |
| L2016                 | 41                               | 179 |                       |                                  |     |                       |                                  |   |                       |                                  |   |
| L2017                 | 33                               | 176 | TR1600                | 327                              | 108 |                       |                                  |   |                       |                                  |   |
| L2019                 | 37                               | 170 | TR3030                | 304                              | 186 |                       |                                  |   |                       |                                  |   |
| L2021                 | 186                              | 165 | TV                    | 132                              | 255 |                       |                                  |   |                       |                                  |   |
| L2025                 | 188                              | 193 | VCR                   | 253                              | 255 |                       |                                  |   |                       |                                  |   |
| L2047                 | 164                              | 174 |                       |                                  |     |                       |                                  |   |                       |                                  |   |
| L2116                 | 18                               | 177 |                       |                                  |     |                       |                                  |   |                       |                                  |   |
| MF1698                | 245                              | 188 |                       |                                  |     |                       |                                  |   |                       |                                  |   |
| MODUL                 | 53                               | 242 |                       |                                  |     |                       |                                  |   |                       |                                  |   |
| OK1600                | 299                              | 162 |                       |                                  |     |                       |                                  |   |                       |                                  |   |
| OK1601                | 299                              | 152 |                       |                                  |     |                       |                                  |   |                       |                                  |   |
| P01                   | 50                               | 139 |                       |                                  |     |                       |                                  |   |                       |                                  |   |
| P02                   | 269                              | 42  |                       |                                  |     |                       |                                  |   |                       |                                  |   |
| Q1121                 | 30                               | 142 |                       |                                  |     |                       |                                  |   |                       |                                  |   |
| Q1345                 | 110                              | 189 |                       |                                  |     |                       |                                  |   |                       |                                  |   |
| Q1402                 | 91                               | 142 |                       |                                  |     |                       |                                  |   |                       |                                  |   |
| R1541                 | 268                              | 174 |                       |                                  |     |                       |                                  |   |                       |                                  |   |
| R1551                 | 262                              | 213 |                       |                                  |     |                       |                                  |   |                       |                                  |   |
| R1552                 | 261                              | 191 |                       |                                  |     |                       |                                  |   |                       |                                  |   |
| R1600                 | 355                              | 192 |                       |                                  |     |                       |                                  |   |                       |                                  |   |
| R1602                 | 340                              | 197 |                       |                                  |     |                       |                                  |   |                       |                                  |   |
| R1663                 | 272                              | 138 |                       |                                  |     |                       |                                  |   |                       |                                  |   |
| CC1503                | 306                              | 46  |                       |                                  |     |                       |                                  |   |                       |                                  |   |
| CC1506                | 265                              | 41  |                       |                                  |     |                       |                                  |   |                       |                                  |   |
| CC1507                | 268                              | 49  |                       |                                  |     |                       |                                  |   |                       |                                  |   |
| CC1508                | 272                              | 49  |                       |                                  |     |                       |                                  |   |                       |                                  |   |
| CC1509                | 265                              | 38  |                       |                                  |     |                       |                                  |   |                       |                                  |   |
| CC1549                | 254                              | 208 |                       |                                  |     |                       |                                  |   |                       |                                  |   |
| CC1551                | 257                              | 206 |                       |                                  |     |                       |                                  |   |                       |                                  |   |
| CC1553                | 278                              | 179 |                       |                                  |     |                       |                                  |   |                       |                                  |   |
| CC1554                | 224                              | 215 |                       |                                  |     |                       |                                  |   |                       |                                  |   |
| CC1556                | 230                              | 213 |                       |                                  |     |                       |                                  |   |                       |                                  |   |
| CC1558                | 229                              | 201 |                       |                                  |     |                       |                                  |   |                       |                                  |   |
| CC1605                | 313                              | 133 |                       |                                  |     |                       |                                  |   |                       |                                  |   |
| CC1643                | 222                              | 135 |                       |                                  |     |                       |                                  |   |                       |                                  |   |
| CC1647                | 338                              | 73  |                       |                                  |     |                       |                                  |   |                       |                                  |   |
| CC1655                | 281                              | 137 |                       |                                  |     |                       |                                  |   |                       |                                  |   |
| CC1674                | 277                              | 87  |                       |                                  |     |                       |                                  |   |                       |                                  |   |
| CC1687                | 285                              | 68  |                       |                                  |     |                       |                                  |   |                       |                                  |   |
| CC1694                | 254                              | 106 |                       |                                  |     |                       |                                  |   |                       |                                  |   |
| CC1696                | 219                              | 179 |                       |                                  |     |                       |                                  |   |                       |                                  |   |
| CC1709                | 262                              | 139 |                       |                                  |     |                       |                                  |   |                       |                                  |   |
| CC1710                | 251                              | 144 |                       |                                  |     |                       |                                  |   |                       |                                  |   |
| CC1762                | 285                              | 164 |                       |                                  |     |                       |                                  |   |                       |                                  |   |
| CC2001                | 179                              | 171 |                       |                                  |     |                       |                                  |   |                       |                                  |   |
| CC2003                | 21                               | 253 |                       |                                  |     |                       |                                  |   |                       |                                  |   |
| CC2004                | 21                               | 215 |                       |                                  |     |                       |                                  |   |                       |                                  |   |
| CC2006                | 25                               | 223 |                       |                                  |     |                       |                                  |   |                       |                                  |   |
| CC2007                | 187                              | 173 |                       |                                  |     |                       |                                  |   |                       |                                  |   |
| CC2009                | 25                               | 178 |                       |                                  |     |                       |                                  |   |                       |                                  |   |
| CC2010                | 12                               | 170 |                       |                                  |     |                       |                                  |   |                       |                                  |   |
| CC2013                | 18                               | 169 |                       |                                  |     |                       |                                  |   |                       |                                  |   |
| CC2014                | 35                               | 180 |                       |                                  |     |                       |                                  |   |                       |                                  |   |
| CC2016                | 38                               | 179 |                       |                                  |     |                       |                                  |   |                       |                                  |   |
| CC2017                | 34                               | 173 |                       |                                  |     |                       |                                  |   |                       |                                  |   |
| CC2019                | 40                               | 169 |                       |                                  |     |                       |                                  |   |                       |                                  |   |
| CC2021                | 170                              | 177 |                       |                                  |     |                       |                                  |   |                       |                                  |   |
| CC2022                | 322                              | 191 |                       |                                  |     |                       |                                  |   |                       |                                  |   |
| CC2025                | 180                              | 193 |                       |                                  |     |                       |                                  |   |                       |                                  |   |
| CC2026                | 167                              | 211 |                       |                                  |     |                       |                                  |   |                       |                                  |   |
| CC2029                | 167                              | 215 |                       |                                  |     |                       |                                  |   |                       |                                  |   |
| CC2030                | 150                              | 208 |                       |                                  |     |                       |                                  |   |                       |                                  |   |
| CC2037                | 181                              | 184 |                       |                                  |     |                       |                                  |   |                       |                                  |   |
| CC2038                | 170                              | 173 |                       |                                  |     |                       |                                  |   |                       |                                  |   |
| CC2039                | 162                              | 166 |                       |                                  |     |                       |                                  |   |                       |                                  |   |
| CC2041                | 159                              | 173 |                       |                                  |     |                       |                                  |   |                       |                                  |   |
| CC2042                | 154                              | 173 |                       |                                  |     |                       |                                  |   |                       |                                  |   |
| CC2044                | 168                              | 173 |                       |                                  |     |                       |                                  |   |                       |                                  |   |
| CC2046                | 131                              | 183 |                       |                                  |     |                       |                                  |   |                       |                                  |   |
| CC2047                | 168                              | 168 |                       |                                  |     |                       |                                  |   |                       |                                  |   |
| CC2050                | 184                              | 187 |                       |                                  |     |                       |                                  |   |                       |                                  |   |
| CC2052                | 175                              | 185 |                       |                                  |     |                       |                                  |   |                       |                                  |   |
| CC2053                | 180                              | 200 |                       |                                  |     |                       |                                  |   |                       |                                  |   |
| CC2054                | 147                              | 191 |                       |                                  |     |                       |                                  |   |                       |                                  |   |
| CC2056                | 168                              | 185 |                       |                                  |     |                       |                                  |   |                       |                                  |   |
| CC2057                | 165                              | 185 |                       |                                  |     |                       |                                  |   |                       |                                  |   |
| CC2059                | 160                              | 184 |                       |                                  |     |                       |                                  |   |                       |                                  |   |
| CC2060                | 185                              | 178 |                       |                                  |     |                       |                                  |   |                       |                                  |   |
| CC2061                | 143                              | 188 |                       |                                  |     |                       |                                  |   |                       |                                  |   |
| CC2062                | 166                              | 200 |                       |                                  |     |                       |                                  |   |                       |                                  |   |
| CC2072                | 144                              | 210 |                       |                                  |     |                       |                                  |   |                       |                                  |   |
| CC2073                | 136                              | 207 |                       |                                  |     |                       |                                  |   |                       |                                  |   |
| CC2074                | 133                              | 207 |                       |                                  |     |                       |                                  |   |                       |                                  |   |
| CC2076                | 139                              | 190 |                       |                                  |     |                       |                                  |   |                       |                                  |   |
| CC2077                | 139                              | 193 |                       |                                  |     |                       |                                  |   |                       |                                  |   |
| CC2078                | 136                              | 168 |                       |                                  |     |                       |                                  |   |                       |                                  |   |
| CC2079                | 137                              | 172 |                       |                                  |     |                       |                                  |   |                       |                                  |   |
| CC2081                | 132                              | 175 |                       |                                  |     |                       |                                  |   |                       |                                  |   |
| CC2083                | 139                              | 184 |                       |                                  |     |                       |                                  |   |                       |                                  |   |
| CC2086                | 139                              | 187 |                       |                                  |     |                       |                                  |   |                       |                                  |   |
| CC2110                | 13                               | 181 |                       |                                  |     |                       |                                  |   |                       |                                  |   |
| CC2113                | 15                               | 177 |                       |                                  |     |                       |                                  |   |                       |                                  |   |
| CC3041                | 289                              | 127 |                       |                                  |     |                       |                                  |   |                       |                                  |   |
| CD1140                | 15                               | 154 |                       |                                  |     |                       |                                  |   |                       |                                  |   |
| CD1141                | 23                               | 156 |                       |                                  |     |                       |                                  |   |                       |                                  |   |
| CD1216                | 189                              | 240 |                       |                                  |     |                       |                                  |   |                       |                                  |   |
| CD1246                | 227                              | 231 |                       |                                  |     |                       |                                  |   |                       |                                  |   |
| CD1282                | 73                               | 196 |                       |                                  |     |                       |                                  |   |                       |                                  |   |
| CD1283                | 73                               | 192 |                       |                                  |     |                       |                                  |   |                       |                                  |   |
| CD1306                | 246                              | 183 |                       |                                  |     |                       |                                  |   |                       |                                  |   |
| CD1344                | 101                              | 206 |                       |                                  |     |                       |                                  |   |                       |                                  |   |
| CD1501                | 353                              | 93  |                       |                                  |     |                       |                                  |   |                       |                                  |   |
| CD1502                | 347                              | 84  |                       |                                  |     |                       |                                  |   |                       |                                  |   |

Teilschaltplan A / Part of the Circuit Diagram A



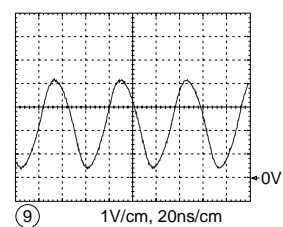
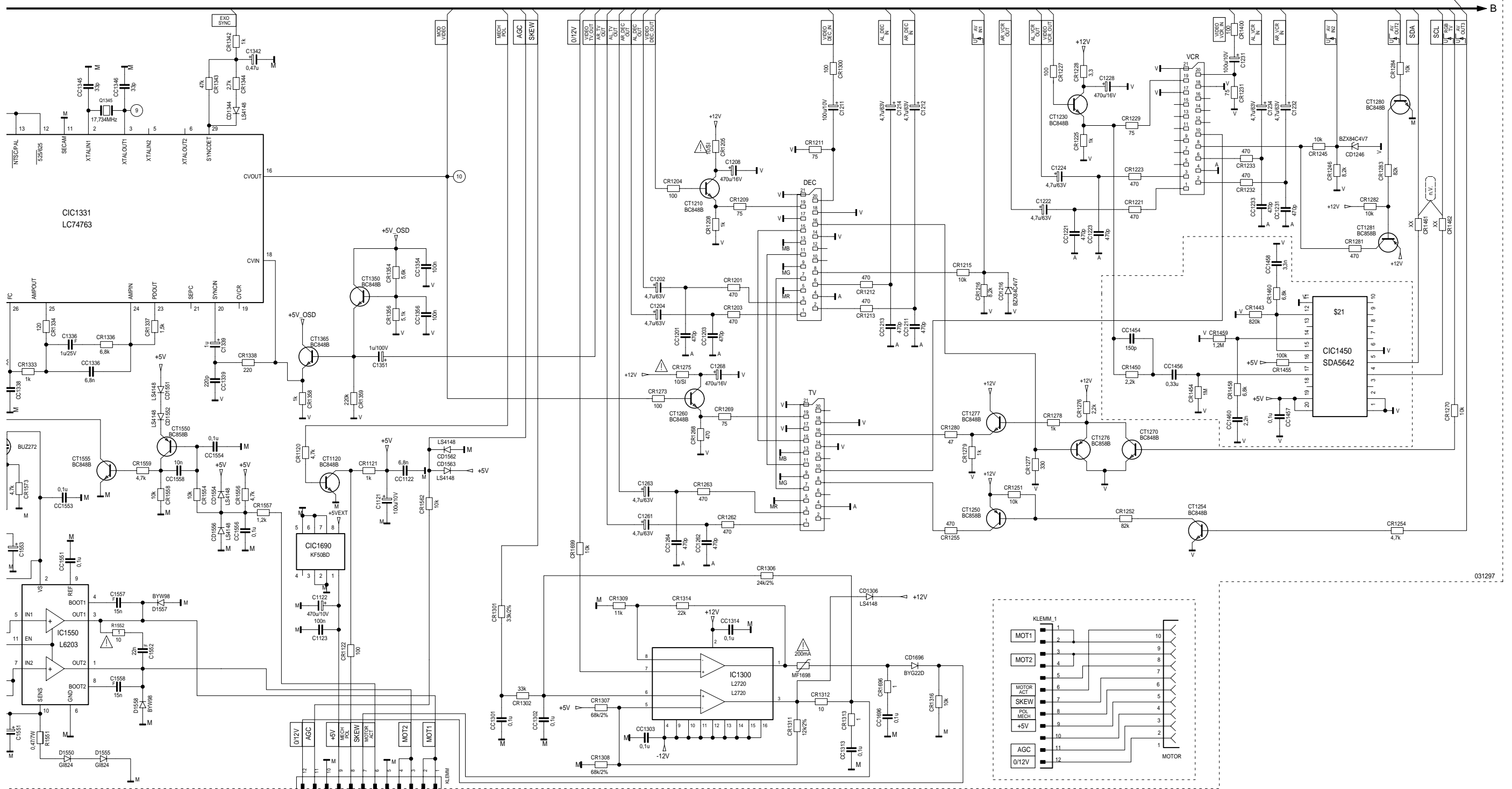
SAT-RECEIVER STR 600

Oszillogramme Chassisplatte / Oscillograms Chassis Board

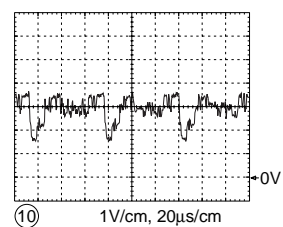




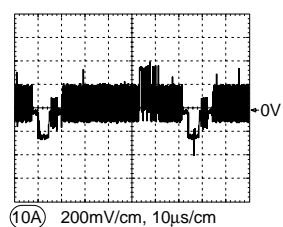
zu Seite 3-15  
to page 3-15



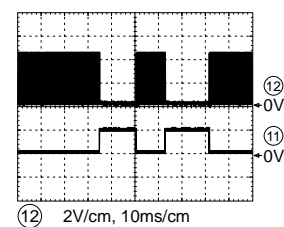
⑨ 1V/cm, 20ns/cm



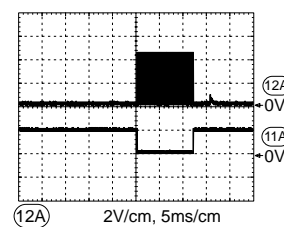
⑩ 1V/cm, 20µs/cm



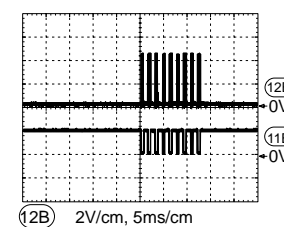
⑩A 200mV/cm, 10µs/cm  
Blauer Bildschirm mit Einblendung  
Blue background with OSD



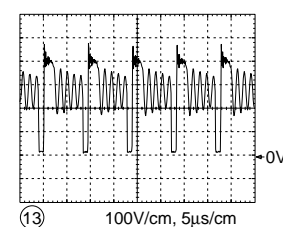
⑫ 2V/cm, 10ms/cm  
⑪ 5V/cm, 10ms/cm  
Simple DiSEqC "Ein" / "On"  
mit 22kHz Dauersignal /  
with 22kHz continuous signal



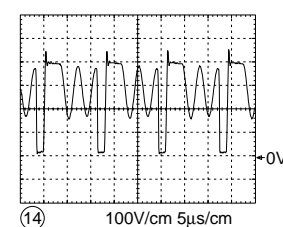
⑫A 2V/cm, 5ms/cm  
⑪A 5V/cm, 5ms/cm  
Simple DiSEqC "Ein" / "On"  
ohne 22kHz Dauersignal /  
without 22kHz continuous signal



⑫B 2V/cm, 5ms/cm  
⑪B 5V/cm, 5ms/cm  
Simple DiSEqC "Aus" / "Off"  
ohne 22kHz Dauersignal /  
without 22kHz continuous signal

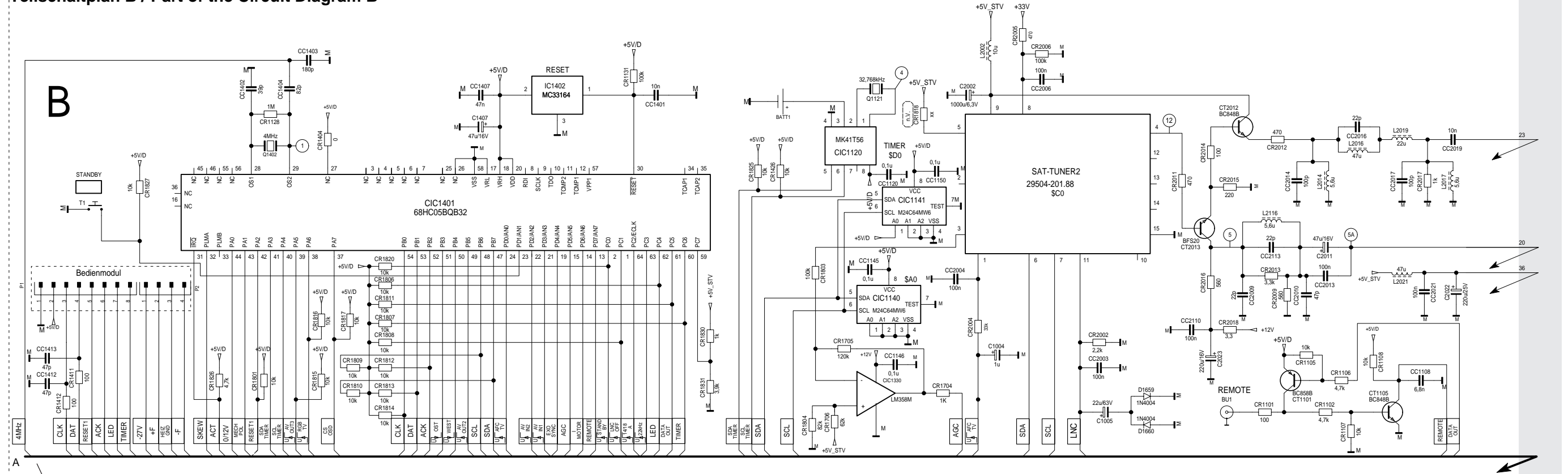


⑬ 100V/cm, 5µs/cm

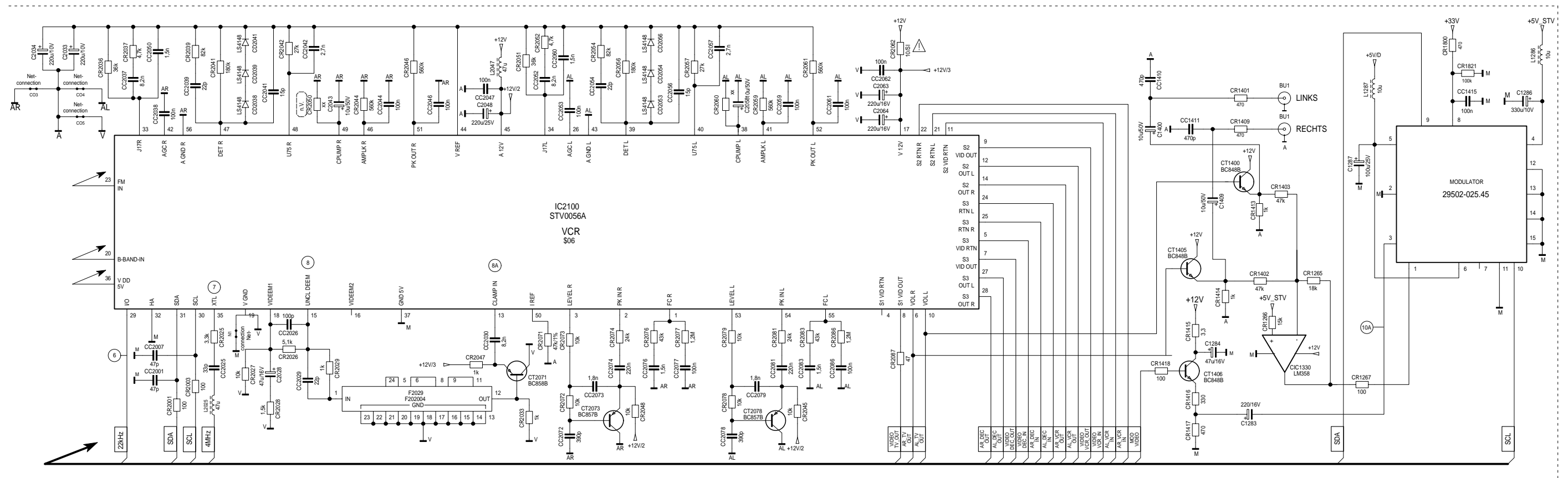


⑭ 100V/cm, 5µs/cm

Teilschaltplan B / Part of the Circuit Diagram B



zu Seite 3 -14  
to page 3 -14



Ersatzteilliste  
Spare Parts List

12 / 97

STR 600 AP

ERSETZT AUSGABE 02/97  
SUBSTITUTE EDITION 02/97

| POS. NR.<br>POS. NO. | ABB.<br>FIG. | SACHNUMMER<br>PART NUMBER | ANZ.<br>QTY. | BEZEICHNUNG<br>(D)                     | DESCRIPTION<br>(GB)                     |
|----------------------|--------------|---------------------------|--------------|--|---|
| 0001.000             |              | 92161-901.51              |              | STR 600 AP SCHWARZ                     | STRA 600 AP BLACK                       |
| 0002.000             |              | 29502-215.01              |              | GEH-OBERTEIL                           | CABINET UPPER PART                      |
| 0003.000             |              | 29502-224.11              |              | GEH-UNTERTEIL DRUCK KPL                | CABINET LOWER PART PRINT CPL            |
| 0004.000             |              | 29622-833.01              | 4            | GUMMIFUSS                              | RUBBER FOOT                             |
| 0005.000             |              | 29502-226.11              |              | FRONTBLLENDE DRUCK KPL                 | FRONT MASK PRINT CPL.                   |
| 0006.000             |              | 29632-155.01              |              | EMBLEM GRUNDIG                         | EMBLEM GRUNDIG                          |
| 0007.000             |              | 29502-218.01              |              | FENSTER LED DISPLAY                    | WINDOW LED DISPLAY                      |
| 0008.000             |              | 29501-701.01              |              | FILTERSCHEIBE DISPLAY                  | FILTER WASHER DISPLAY                   |
| 0009.000             |              | 29303-722.08              |              | FLUORESCENZANZEIGE                     | FLUORESCENCE DISPLAY                    |
| 0010.000             |              | 29501-702.01              |              | TASTENSATZ DRUCK KPL. 7-FACH           | KEY SET PRESSURE CPL 7-FOLD             |
| 0011.000             |              | 29501-692.01              |              | TASTE POWER                            | KEY POWER                               |
| 0012.000             |              | 8104-900-165              |              | RINGKERN 2343729200 VOGT               | ANNULAR CORE TRANSFORMER                |
| 0013.000             |              | 29703-357.01              |              | TASTSCHALTER POWER                     | KEY SWITCH POWEWR                       |
| 0014.000             |              | 29703-357.01              |              | TASTSCHALTER i                         | KEY SWITCH i                            |
| 0015.000             |              | 29703-357.01              |              | TASTSCHALTER EXIT                      | KEY SWITCH EXIT                         |
| 0016.000             |              | 29703-357.01              |              | TASTSCHALTER OK                        | KEY SWITCH OK                           |
| 0017.000             |              | 29703-357.01              |              | TASTSCHALTER PROGRAMM +                | KEY SWITCH PROGRAMME +                  |
| 0018.000             |              | 29703-357.01              |              | TASTSCHALTER PROGRAMM -                | KEY SWITCH PROGRAMME -                  |
| 0019.000             |              | 29703-357.01              |              | TASTSCHALTER MENUE +                   | KEY SWITCH MENUE +                      |
| 0020.000             |              | 29703-357.01              |              | TASTSCHALTER MENUE -                   | KEY SWITCH MENUE -                      |
| 0021.000             | △            | 29618-452.02              |              | TYPENAUFKLEBER                         | TYPE LABEL SELF-ADHESIVE                |
| 0022.000             |              | 8290-991-316              |              | NETZKABEL KPL.M.ENTSTOERDROSSEL        | POWER CABLE CPL W.INTERFERENCE CHOKE    |
| 0023.000             |              | 29642-061.03              |              | TELEPILOT TP 820 SAT                   | REMOTE CONTROL TP 820 SAT               |
| 0024.000             |              | 29303-370.10              |              | FEDERLEISTE 10-POL MOTORSTEUERUNG      | CONNECTOR STRIP 10 P MOTOR CONTROL      |
|                      |              | 29303-370.10              |              | STECKERLEISTE M.SCHRAUBANSCHLUSS       | MULTIPOINT CONNECTOR W.SCREWED          |
|                      |              |                           |              | FUER MOTOR                             | CONNECTION FOR MOTOR                    |
|                      |              | 29305-201.52              | X            | CHASSIS-SAT<br>KEIN E-TEIL             | CHASSIS-SAT<br>NO SPARE PART            |
|                      |              | 29305-206.05              |              | BEDIENEINHEIT M.ANZEIGE<br>KEIN E-TEIL | CONTROL UNIT W.DISPLAY<br>NO SPARE PART |
|                      |              | 21619-941.01              |              | BEDIENUNGSANLEITUNG                    | OPERATING INSTRUCTIONS                  |
|                      |              |                           |              | X = SIEHE GESONDERTE E-LISTE           | X = SEE SEPARATE PARTS LIST             |

4 29502-226.11

1 29502-215.01

6 29502-218.01



10 29501-692.01

5 29632-155.01

9 29501-702.01

Btx \*32700#

ÄNDERUNGEN VORBEHALTEN / SUBJECT TO ALTERATION

| POS. NR.<br>POS. NO. | SACHNUMMER<br>PART NUMBER | BEZEICHNUNG<br>DESCRIPTION |
|----------------------|---------------------------|----------------------------|
|----------------------|---------------------------|----------------------------|

| POS. NR.<br>POS. NO. | SACHNUMMER<br>PART NUMBER | BEZEICHNUNG<br>DESCRIPTION                         |
|----------------------|---------------------------|--|
|                      | 29305-206.05              | BEDIENEINHEIT M.ANZEIGE/<br>CONTROL UNIT W.DISPLAY |

|          |              |                   |
|----------|--------------|-------------------|
| CD 86001 | 8325-004-148 | SMD DIODE LS 4148 |
| CD 86002 | 8325-004-148 | SMD DIODE LS 4148 |
| CD 86003 | 8325-004-148 | SMD DIODE LS 4148 |
| CD 86004 | 8325-004-148 | SMD DIODE LS 4148 |
| CD 86005 | 8325-004-148 | SMD DIODE LS 4148 |
| CD 86006 | 8325-004-148 | SMD DIODE LS 4148 |
| CD 86007 | 8325-004-148 | SMD DIODE LS 4148 |

|          |                |                   |
|----------|----------------|-------------------|
| CR 86037 | △ 8706-320-017 | SI 1206 47 OHM 5% |
| CR 86027 | △ 8706-320-017 | SI 1206 47 OHM 5% |

|          |              |                     |
|----------|--------------|---------------------|
| CT 86013 | 8301-006-857 | SMD-TRANS.BC 857 C  |
| CT 86020 | 8301-006-808 | SMD-TRANS.BC 808-40 |
| CT 86040 | 8301-006-818 | SMD-TRANS.BC 818-40 |
| CT 86045 | 8301-004-848 | SMD-TRANS.BC 848 B  |
| CT 86050 | 8301-004-848 | SMD-TRANS.BC 848 B  |

|         |              |                         |
|---------|--------------|-------------------------|
| D 86001 | 8309-944-625 | LE-DIODE TLHY4605 TEMIC |
| D 86002 | 8309-944-601 | LE DIODE TLHR 4601 TFK  |

|         |              |                     |
|---------|--------------|---------------------|
| F 86012 | 8602-331-085 | CER.RES.85 4,00 MHZ |
|---------|--------------|---------------------|

|          |              |                           |
|----------|--------------|---------------------------|
| IC 86010 | 8305-367-530 | IC TFMS5300 (STEHEND) TFK |
| IC 86020 | 8305-210-007 | IC XC404509B (MC68HC05M6) |

| POS. NR.<br>POS. NO. | SACHNUMMER<br>PART NUMBER | BEZEICHNUNG<br>DESCRIPTION |
|----------------------|---------------------------|----------------------------|
|----------------------|---------------------------|----------------------------|

Es gelten die Vorschriften und Sicherheitshinweise gemäß dem Service Manual "Sicherheit", Sach-Nummer 72010-800.00, sowie zusätzlich die eventuell abweichenden, landesspezifischen Vorschriften!



The regulations and safety instructions shall be valid as provided by the "Safety" Service Manual, part number 72010-800.00, as well as the respective national deviations.

Btx \*32700#

ÄNDERUNGEN VORBEHALTEN / SUBJECT TO ALTERATION

# Ersatzteilliste Spare Parts List

12 / 97

ERSETZT AUSGABE 04/97  
SUBSTITUTE EDITION 04/97

# GRUNDIG

## SAT

### CHASSIS SAT

SACH-NR. / PART NO.: 29305-201.52

| POS. NR.<br>POS. NO. | ABB.<br>FIG. | SACHNUMMER<br>PART NUMBER | ANZ.<br>QTY. | BEZEICHNUNG<br>(D)                  | DESCRIPTION<br>(GB)                      |
|----------------------|--------------|---------------------------|--------------|-------------------------------------|--|
| 0001.000             |              | 29504-201.88              |              | TUNER SAT (OFW 27MHZ)               | TUNER SAT (OFW 27MHZ)                    |
| 0002.000             |              | 29502-025.45              |              | PLL-MODULATOR                       | PLL-MODULATOR                            |
| 0003.000             |              | 29303-119.04              | 3            | EURO-AV BUCHSENLEISTE 21-P.SCHWARZ  | EURO-AV SOCKET STRIP 21 P BLACK          |
| 0004.000             |              | 29303-168.35              |              | CINCH-BUCHSE 3-FACH NL L,R/FERNBED. | CINCH SOCKET 3 FOLD AF LR REMOTE CONTROL |
| 0005.000             | △            | 27511-474.00              |              | NETZ EINBAUGERAETESTECKER           | APPLIANCE COUPLER                        |
| 0006.000             | △            | 09621-113.02              | 4            | SICHERUNGSHALTER SH1601/2001        | FUSE HOLDER SH1601/2001                  |
| 0007.000             |              | 29303-153.02              |              | MONTAGECLIP IC1550                  | MOUNTING CLIP IC1550                     |
| 0008.000             |              | 29303-153.16              | 3            | MONTAGECLIP T1554/IC1600/1655       | MOUNTING CLIP T1554/IC1600/1655          |
| 0009.000             |              | 29303-156.20              | 2            | FOLIE WAERMELEITEND T1554/IC1655    | FOIL HEAT CONDUCTING T1554/IC1655        |

| POS. NR.<br>POS. NO. | SACHNUMMER<br>PART NUMBER | BEZEICHNUNG<br>DESCRIPTION   | POS. NR.<br>POS. NO. | SACHNUMMER<br>PART NUMBER | BEZEICHNUNG<br>DESCRIPTION |
|----------------------|---------------------------|------------------------------|----------------------|---------------------------|----------------------------|
| C 1003               | 8400-047-000              | SPEICHER-C (A) 0,047 F 5,5V  | CD 1696              | 8325-328-022              | SMD DIODE BYG22B TEMIC     |
| C1559                | △ 8660-098-238            | SI-KERKO B-SS 2200PF 20%400V | CD 2003              | 8309-384-062              | SMD Z-DIODE BZX84C6V2      |
| C1601                | △ 8511-793-818            | FOKO MKP336.2 0,1UF 20% 275V | CD 2038              | 8325-004-148              | SMD DIODE LS 4148          |
| C 1603               | 8650-090-510              | HV-KERKO 1000PF 20% 1KV      | CD 2039              | 8325-004-148              | SMD DIODE LS 4148          |
| C 1604               | 8650-090-510              | HV-KERKO 1000PF 20% 1KV      | CD 2041              | 8325-004-148              | SMD DIODE LS 4148          |
| C 1606               | 8650-090-510              | HV-KERKO 1000PF 20% 1KV      | CD 2053              | 8325-004-148              | SMD DIODE LS 4148          |
| C 1607               | 8650-090-510              | HV-KERKO 1000PF 20% 1KV      | CD 2054              | 8325-004-148              | SMD DIODE LS 4148          |
| C1610                | △ 8599-990-025            | FOKO MP3 0,15UF 20% 250VWV   | CD 2056              | 8325-004-148              | SMD DIODE LS 4148          |
| C1626                | △ 8660-098-238            | SI-KERKO B-SS 2200PF 20%400V | CD 2062              | 8309-413-545              | SMD KAP-DIODE BB545E7909   |
| C 1636               | 8650-090-510              | HV-KERKO 1000PF 20% 1KV      | CIC 1120             | 8305-753-041              | SMD IC MKI41T56S00         |
| C 1641               | 8650-131-012              | HV-KERKO 150PF 20% 2KV       | CIC 1140             | 8305-960-065              | SMD IC M24C64MN6-TR        |
| C 2002               | 8452-967-021              | ELKO AMMO5 1000UF 6,3V       | CIC 1141             | 8305-960-065              | SMD IC M24C64MN6-TR        |
| CD 1140              | 8330-001-101              | MELF-DIODE LL 101 C          | CIC 1330             | 8305-760-358              | SMD IC LM358M NSC/TID      |
| CD 1216              | 8309-384-047              | SMD-Z DIODE BZX 84 C4V7      | CIC 1331             | 8305-765-763              | SMD IC LC74763M-9602-TLM   |
| CD 1246              | 8309-384-047              | SMD-Z DIODE BZX 84 C4V7      | CIC 1401             | 8305-685-537              | IC ZC85537 (MC68HC05B32CF  |
| CD 1306              | 8325-004-148              | SMD DIODE LS 4148            | CIC 1690             | 8305-986-050              | SMD IC KF50BD-TR SGS       |
| CD 1344              | 8325-004-148              | SMD DIODE LS 4148            | CIC 2050             | 8305-848-722              | SMD IC TDA8722T PHI        |
| CD 1501              | 8325-328-023              | SMD DIODE BYG22D TEMIC       | CT 1101              | 8301-006-857              | SMD-TRANS.BC 857 C         |
| CD 1502              | 8325-328-023              | SMD DIODE BYG22D TEMIC       | CT 1105              | 8301-004-848              | SMD-TRANS.BC 848 B         |
| CD 1503              | 8325-328-023              | SMD DIODE BYG22D TEMIC       | CT 1120              | 8301-004-848              | SMD-TRANS.BC 848 B         |
| CD 1551              | 8325-004-148              | SMD DIODE LS 4148            | CT 1210              | 8301-004-848              | SMD-TRANS.BC 848 B         |
| CD 1552              | 8325-004-148              | SMD DIODE LS 4148            | CT 1230              | 8301-004-848              | SMD-TRANS.BC 848 B         |
| CD 1553              | 8325-384-120              | SMD Z-DIODE BZX84C12         | CT 1250              | 8301-006-857              | SMD-TRANS.BC 857 C         |
| CD 1554              | 8325-004-148              | SMD DIODE LS 4148            | CT 1254              | 8301-004-848              | SMD-TRANS.BC 848 B         |
| CD 1556              | 8325-004-148              | SMD DIODE LS 4148            | CT 1260              | 8301-004-848              | SMD-TRANS.BC 848 B         |
| CD 1557              | 8325-004-148              | SMD DIODE LS 4148            | CT 1270              | 8301-004-848              | SMD-TRANS.BC 848 B         |
| CD 1558              | 8325-004-148              | SMD DIODE LS 4148            | CT 1276              | 8301-006-857              | SMD-TRANS.BC 857 C         |
| CD 1562              | 8325-004-148              | SMD DIODE LS 4148            | CT 1277              | 8301-004-848              | SMD-TRANS.BC 848 B         |
| CD 1563              | 8325-004-148              | SMD DIODE LS 4148            | CT 1280              | 8301-004-848              | SMD-TRANS.BC 848 B         |
| CD 1600              | 8325-004-148              | SMD DIODE LS 4148            | CT 1281              | 8301-006-857              | SMD-TRANS.BC 857 C         |
| CD 1641              | 8325-328-023              | SMD DIODE BYG22D TEMIC       | CT 1350              | 8301-004-848              | SMD-TRANS.BC 848 B         |
| CD 1642              | 8325-328-023              | SMD DIODE BYG22D TEMIC       | CT 1365              | 8301-004-848              | SMD-TRANS.BC 848 B         |
| CD 1643              | 8325-384-330              | SMD Z-DIODE BZX84C33         | CT 1400              | 8301-004-848              | SMD-TRANS.BC 848 B         |
| CD 1651              | 8325-328-023              | SMD DIODE BYG22D TEMIC       | CT 1405              | 8301-004-848              | SMD-TRANS.BC 848 B         |
| CD 1661              | 8325-328-023              | SMD DIODE BYG22D TEMIC       | CT 1406              | 8301-004-848              | SMD-TRANS.BC 848 B         |
| CD 1672              | 8325-518-010              | SMD DIODE BYS10-35           | CT 1550              | 8301-006-857              | SMD-TRANS.BC 857 C         |
| CD 1681              | 8325-328-023              | SMD DIODE BYG22D TEMIC       | CT 1551              | 8301-004-856              | SMD-TRANS.BC 856 B         |
| CD 1691              | 8325-328-023              | SMD DIODE BYG22D TEMIC       |                      |                           |                            |

Btx \*32700#

ÄNDERUNGEN VORBEHALTEN / SUBJECT TO ALTERATION

| POS. NR.<br>POS. NO. | SACHNUMMER<br>PART NUMBER | BEZEICHNUNG<br>DESCRIPTION | POS. NR.<br>POS. NO. | SACHNUMMER<br>PART NUMBER | BEZEICHNUNG<br>DESCRIPTION |
|----------------------|---------------------------|----------------------------|----------------------|---------------------------|----------------------------|
| CT 1552              | 8301-004-856              | SMD-TRANS.BC 856 B         | L 2014               | 8140-526-456              | DR 0309 5,6UH 5%           |
| CT 1553              | 8301-004-856              | SMD-TRANS.BC 856 B         | L 2016               | 8140-526-459              | DR 0309 47UH 5%            |
| CT 1555              | 8301-004-848              | SMD-TRANS.BC 848 B         | L 2017               | 8140-526-456              | DR 0309 5,6UH 5%           |
| CT 1560              | 8301-004-848              | SMD-TRANS.BC 848 B         | L 2019               | 8140-526-023              | DR ST 0309 22UH            |
| CT 1610              | 8301-006-857              | SMD-TRANS.BC 857 C         | L 2020               | 8141-914-600              | BALUN UEBERTRAGER 5X5 600/ |
| CT 1616              | 8301-004-848              | SMD-TRANS.BC 848 B         |                      |                           | BALUN TRANSFORMER          |
| CT 1650              | 8301-004-848              | SMD-TRANS.BC 848 B         | L 2021               | 8140-522-721              | DR ST 0411 47UH 5%         |
| CT 1675              | 8301-004-848              | SMD-TRANS.BC 848 B         | L 2025               | 8140-522-721              | DR ST 0411 47UH 5%         |
| CT 1709              | 8301-004-848              | SMD-TRANS.BC 848 B         | L 2047               | 8140-522-721              | DR ST 0411 47UH 5%         |
| CT 1710              | 8301-006-857              | SMD-TRANS.BC 857 C         | L 2116               | 8140-526-456              | DR 0309 5,6UH 5%           |
| CT 2005              | 8301-177-067              | SMD TRANS BFP67 TEMIC      | OK1600               | △ 8306-000-012            | OPTOKOPPLER CNY17F1/ CNY1  |
| CT 2012              | 8301-004-848              | SMD-TRANS.BC 848 B         | OK1601               | △ 8306-000-012            | OPTOKOPPLER CNY17F1/ CNY1  |
| CT 2013              | 8301-185-020              | SMD-TRANS BFS20 PHI        |                      |                           |                            |
| CT 2060              | 8301-004-847              | SMD-TRANS.BC 847 B         | Q 1121               | 8382-200-797              | SCHWINGQUARZ 32,768 KHZ    |
| CT 2071              | 8301-006-857              | SMD-TRANS.BC 857 C         | Q 1345               | 8382-335-179              | QUARZ 17,734475MHZ Q335/2  |
| CT 2073              | 8301-006-857              | SMD-TRANS.BC 857 C         | Q 1402               | 8382-162-041              | QUARZ 4 MHz LNB-638 NDK    |
| CT 2078              | 8301-006-857              | SMD-TRANS.BC 857 C         | Q 2061               | 8382-162-040              | QUARZ 4 MHZ LNB-638 NDK    |
| D 1504               | 8309-721-037              | Z DIODE 7,5 C 1,3W/ ZPY    | R 1551               | 8730-178-990              | DRW 7 0,47 OHM 5%          |
| D 1549               | 8309-198-040              | DIODE TYP4 BAT41 <<<       | R1552                | △ 8705-227-025            | MOW 0411 10 OHM 5%         |
| D 1550               | 8309-712-822              | DIODE MR 824 C6.4 FAG/GI   | R1600                | △ 8735-067-009            | DRW 7 IMP 2,2 OHM 5% STAN  |
| D 1555               | 8309-712-822              | DIODE MR 824 C6.4 FAG/GI   | R1602                | △ 8766-349-157            | MSW SI 0414 3.3 MOHM 5%    |
| D 1557               | 8309-517-098              | DIODE BYW 98-100THO/UES    | R 1663               | 8792-002-009              | ESTR.S6 100 OHM LIN        |
| D 1558               | 8309-517-098              | DIODE BYW 98-100THO/UES    |                      |                           |                            |
| D 1600               | 8308-560-384              | GLR.SKB380C1500 L5B SEM/C  | SI1500               | △ 8315-616-205            | LOET-SI.-GR 800 MA/T       |
| D 1632               | 8309-516-026              | DIODE BYV26C TEMIC/PHI     | SI1502               | △ 8315-611-025            | SI LOET T250MA 250V        |
| D 1633               | 8309-682-240              | Z-DIODE BZW03D240 TEMIC    | SI1601               | △ 8315-620-003            | SI 5X20 T2A L 250V         |
| D 1648               | 8309-215-020              | DIODE 1 N 4004 -GA         | SI1651               | △ 8315-612-027            | LOET-SI.-GR 315 MA/T       |
| D 1658               | 8309-215-020              | DIODE 1 N 4004 -GA         | SI1670               | △ 8315-616-205            | LOET-SI.-GR 800 MA/T       |
| D 1659               | 8309-215-020              | DIODE 1 N 4004 -GA         | SI1681               | △ 8315-619-028            | LOET-SI.-GR 1,6 A/T        |
| D 1660               | 8309-215-020              | DIODE 1 N 4004 -GA         | SI1691               | △ 8315-618-200            | LOET-SI.-GR 1 A/T          |
| D 1671               | 8309-820-420              | DIODE MUR420               | MF1698               | △ 8315-100-163            | MULTIFUSE 200MA RXE020 R   |
| D 1762               | 8305-440-431              | IC TL431CLPRP MOT          | SI2001               | △ 75953-505-33            | SICHERUNG 100MA 250V/FUSE  |
| D 2000               | 8309-663-200              | Z-DIODE BZT03D200          | T 1554               | 8302-269-272              | TRANS BUZ272 SIE           |
| D 2001               | 8309-516-026              | DIODE BYV26C TEMIC/PHI     | TR1600               | △ 8140-601-596            | TRAF0 SPERRWANDLER E36/11  |
| D 2002               | 8309-516-755              | DIODE BYT 53 D             | TR3030               | △ 8140-601-511            | TRAF0 SPERRWANDLER CE205C/ |
| D 3033               | 8309-516-755              | DIODE BYT 53 D             |                      |                           | B.O.-TYPE CONVERTER        |
| F 2029               | 8140-602-319              | FILTER 5X5 #319 4FACH SIG  |                      |                           | TRANSFORMER                |
| F 2068               | 8140-535-172              | SPULE 7X7 #172 SIGN172 6M  |                      |                           |                            |
| IC 1300              | 8305-204-273              | IC L2720 SGS               |                      |                           |                            |
| IC 1402              | 8305-210-064              | IC MC33164P-5RP            |                      |                           |                            |
| IC 1550              | 8305-204-620              | IC L6203                   |                      |                           |                            |
| IC 1600              | 8305-459-227              | IC TOP227Y                 |                      |                           |                            |
| IC 1601              | 8305-459-209              | IC TOP209P                 |                      |                           |                            |
| IC 1655              | 8305-204-315              | IC LM317MT                 |                      |                           |                            |
| IC 1688              | 8305-202-812              | IC UA78M12/ MC78M12        |                      |                           |                            |
| IC 2100              | 8305-125-056              | IC STV0056A                |                      |                           |                            |
| IC 3033              | 8305-205-710              | IC MC78L05ACPRP            |                      |                           |                            |
| L 1286               | 8140-523-249              | DR ST 0411-GRP 10UH        |                      |                           |                            |
| L 1287               | 8140-523-249              | DR ST 0411-GRP 10UH        |                      |                           |                            |
| L 1333               | 8140-526-456              | DR 0309 5,6UH 5%           |                      |                           |                            |
| L1600                | △ 8140-524-935            | ENTSTOER-DR 2X15MH B82732/ |                      |                           |                            |
|                      |                           | INTERFERENCE CHOKE         |                      |                           |                            |
| L 1647               | 8140-523-249              | DR ST 0411-GRP 10UH        |                      |                           |                            |
| L 1653               | 8140-525-455              | SIEBDR.-GR 47UH LHLC06/    |                      |                           |                            |
|                      |                           | FILTER CHOKE               |                      |                           |                            |
| L 1658               | 8140-522-704              | DR 0411 2,2UH 5%           |                      |                           |                            |
| L 1686               | 8140-525-455              | SIEBDR.-GR 47UH LHLC06     |                      |                           |                            |
| L 1689               | 8140-525-455              | SIEBDR.-GR 47UH LHLC06     |                      |                           |                            |
| L 1691               | 8140-525-455              | SIEBDR.-GR 47UH LHLC06/    |                      |                           |                            |
|                      |                           | FILTER CHOKE               |                      |                           |                            |
| L 2002               | 8140-523-249              | DR ST 0411-GRP 10UH        |                      |                           |                            |
| L 2006               | 09241-248.07              | HF-SPULE/COIL              |                      |                           |                            |

Es gelten die Vorschriften und Sicherheitshinweise gemäß dem Service Manual "Sicherheit", Sach-Nummer 72010-800.00, sowie zusätzlich die eventuell abweichenden, landesspezifischen Vorschriften!



The regulations and safety instructions shall be valid as provided by the "Safety" Service Manual, part number 72010-800.00, as well as the respective national deviations.

Btx \*32700#

ÄNDERUNGEN VORBEHALTEN / SUBJECT TO ALTERATION